

Design Advanced Slider

Features

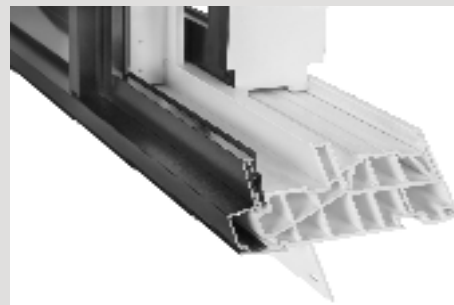


Frame Colours:



INT. = Interior EXT. = Exterior

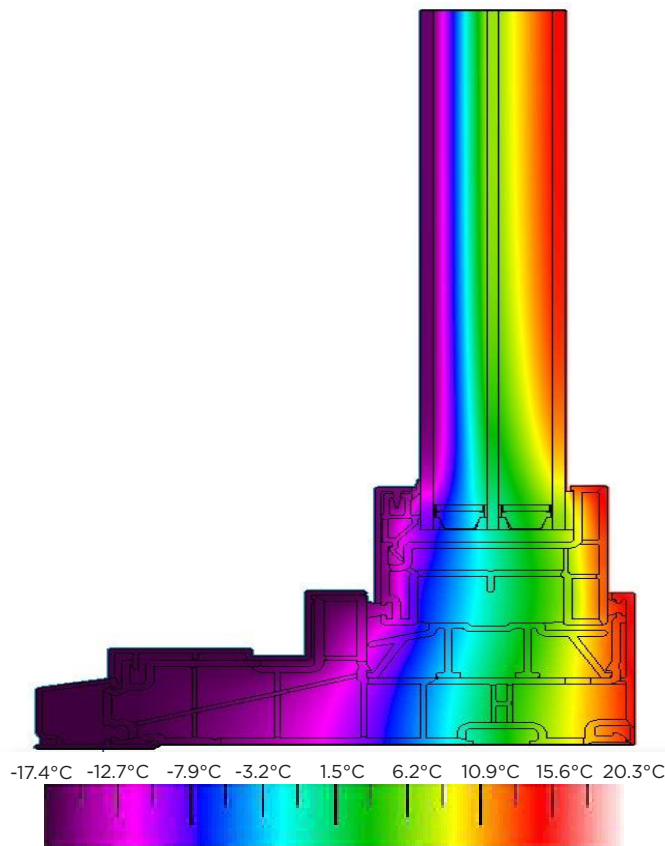
- Advanced technical performance to meet any project.
- Dual weather seal for superior performance.
- Dual and Triple glazed options available.
- Full extruded aluminum clad exterior and Fusion Colour Wrap for interior application.
- Ability to include grilles and Simulated Divided Lites.
- Largest Ply Gem slider frame size available.



The Design Advanced slider effortlessly accommodates both dual and triple glazed units, offering unmatched versatility and insulation. With aluminum clad exterior colour options available, this window provides a sleek, modern look while also offering all of Ply Gem's Fusion Colour Wrap interiors; providing unparalleled customization options to match any project. The enhanced thermal performance has been engineered with state of the art technology to achieve superior thermal, air and structural ratings; meeting the most rigorous NAFS standards.

Technical Information

- Increased amount of interior chambers to promote exceedingly high performance for slider windows.
- Frame depth of 140.40mm (5¹⁷/₃₂"). Frame depth to nail fin 97.37mm (3²⁷/₃₂").
- True Triple - 1 3/8" OD sealed unit thickness.
- Water penetration resistance rated to 400 Pa.
- Glass available with low emissivity coatings Eco Gain 180, Eco Shield 270 and Eco Max Shield 366
- Frame composed of high heat resistant material.
- Roto Fasco sweep lock hardware included
- Air Infiltration rates as A3 for horizontal slider and A2 for vertical slider.

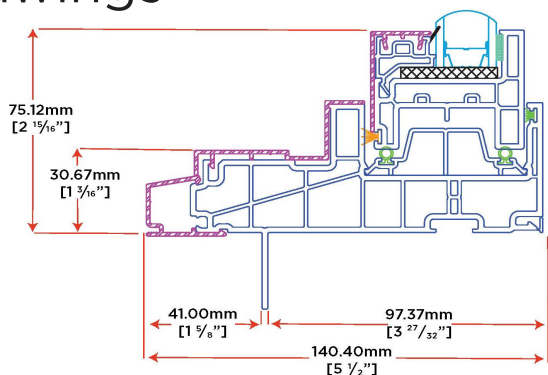


Isotherm Design Advanced Slider - Sash Thermal Imagery

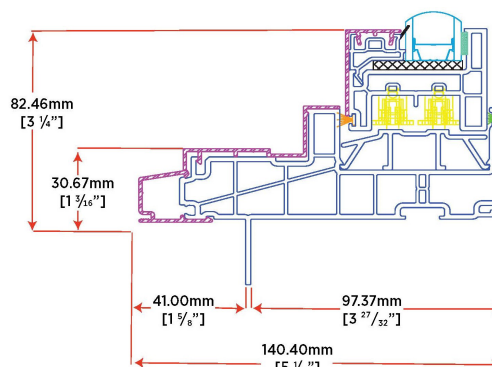
Performance Table

Profile	U - Values			
	Highest TG 2: LoE 366 or LoE 270/Arg/Clear/Arg/LoE 180		Lowest DG: Clear/Air/LoE 180	
	Metric	IP	Metric	IP
Design Advanced Vertical Slider	1.02	0.18	1.87	0.33
Design Advanced Horizontal Slider	1.02	0.18	1.82	0.32
Design Advanced Direct Set (Slider)	0.85	0.15	1.76	0.31

Drawings



Vertical Slider



Horizontal Slider



Visit Plygem.ca