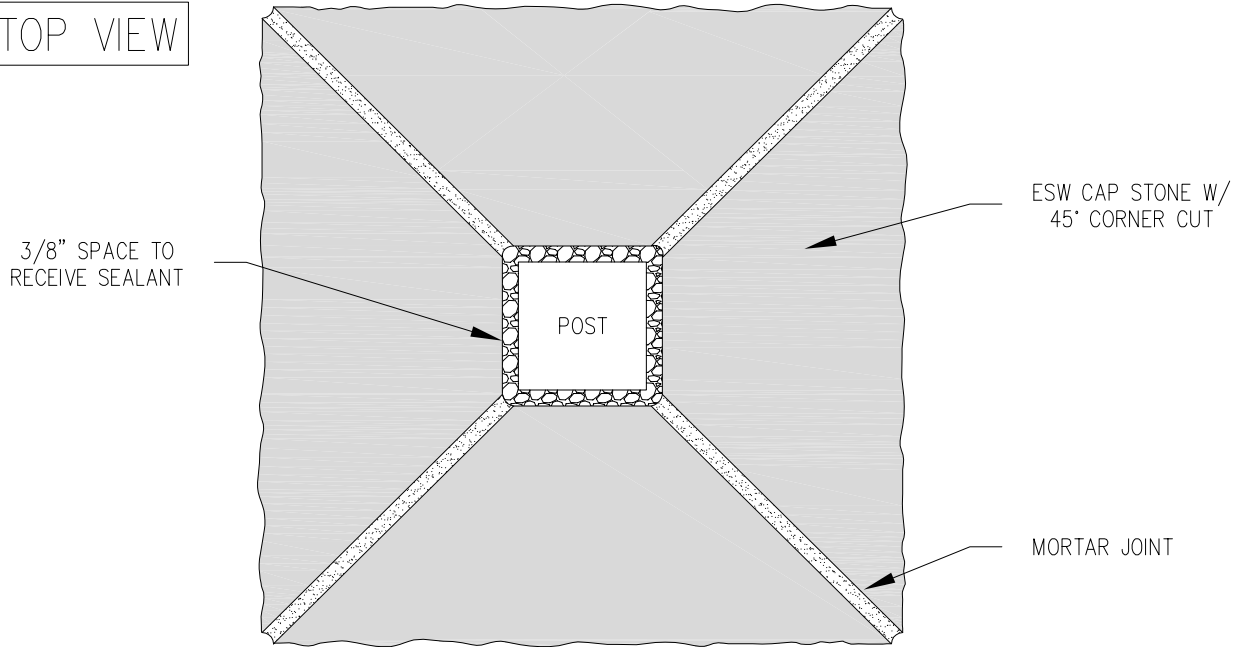


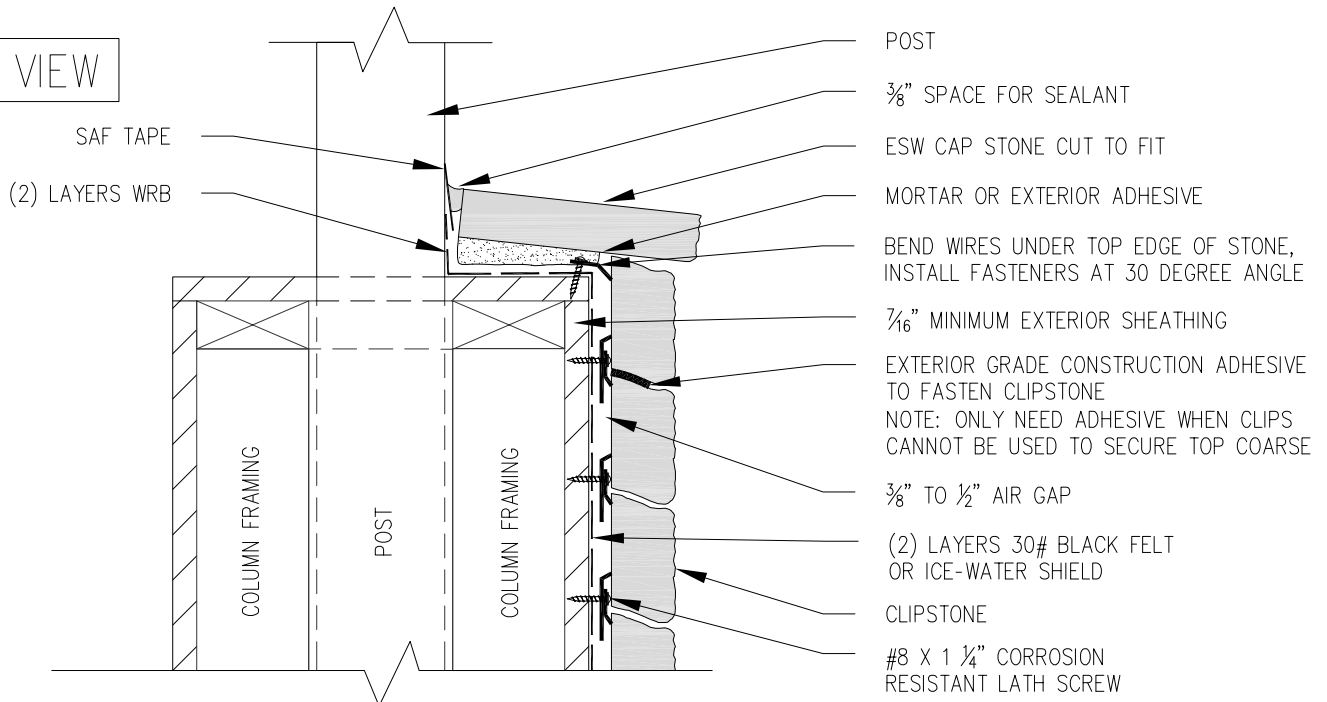
CLIPSTONE

MORTARLESS STONE VENEER
 BY ENVIRONMENTAL STONWORKS®

TOP VIEW



SIDE VIEW



COLUMN TOP W/ SUPPORT POST

FIG-1

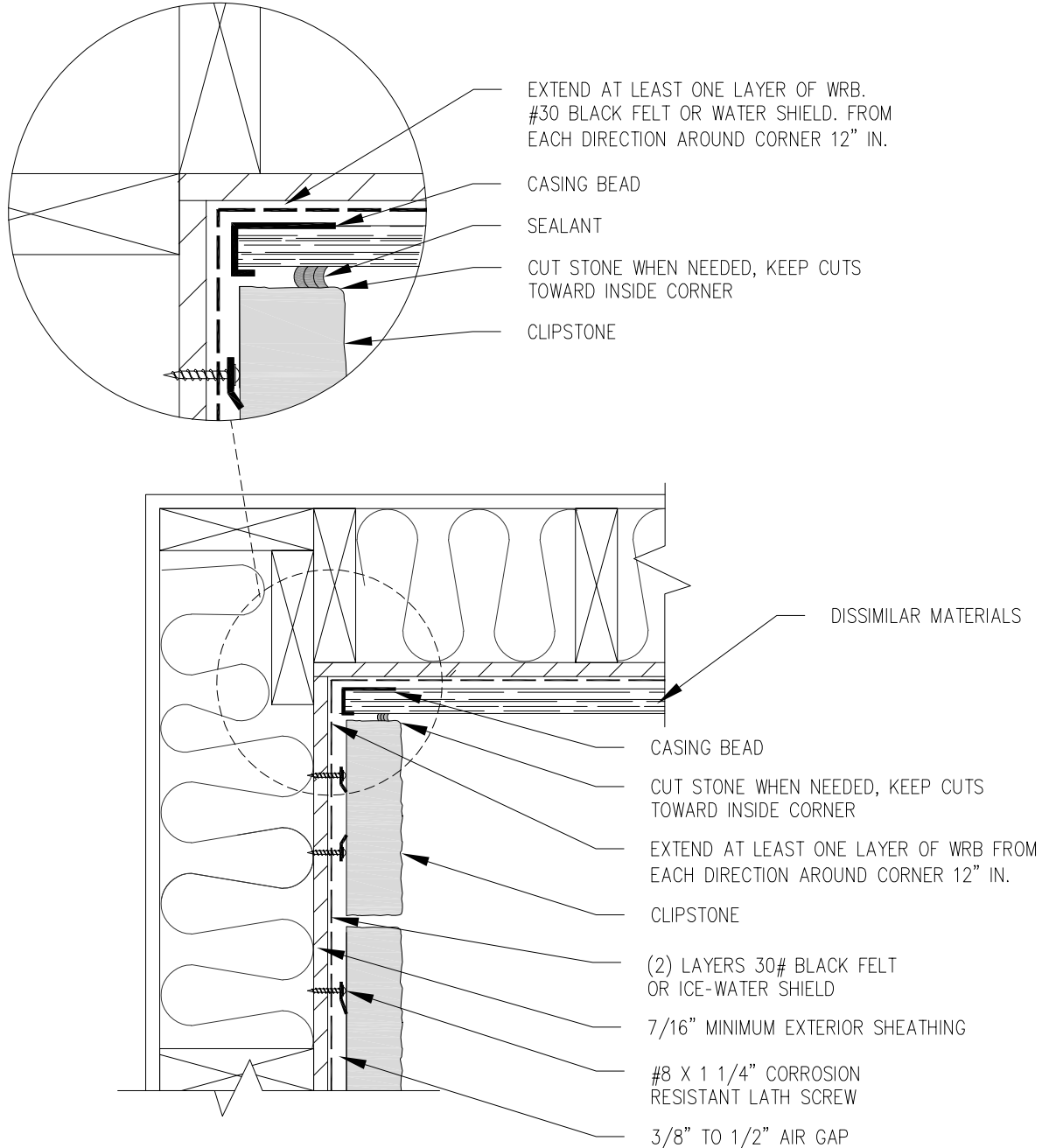
SCALE 2" = 1'-0"

COPYRIGHT 2015 ENVIRONMENTAL STONWORKS

DISCLAIMER: THESE CONSTRUCTION DETAILS ARE PROVIDED TO ASSIST IN THE INSTALLATION OF ENVIRONMENTAL STONWORKS PRODUCT(S). THESE CONSTRUCTION DETAILS WILL NOT NECESSARILY APPLY TO EVERY DESIGN CIRCUMSTANCE THAT YOU ENCOUNTER. THESE CONSTRUCTION DETAILS MAY REQUIRE MODIFICATION TO MEET YOUR PARTICULAR DESIGN REQUIREMENTS. MANUFACTURER ACCEPTS NO RESPONSIBILITY OR LIABILITY FOR USE OF THESE OR OTHER CONSTRUCTION DETAILS.

CLIPSTONE

MORTARLESS STONE VENEER
 BY ENVIRONMENTAL STONWORKS®



TOP VIEW WALL-SECTION INSIDE CORNER W/ STUCCO

FIG-2

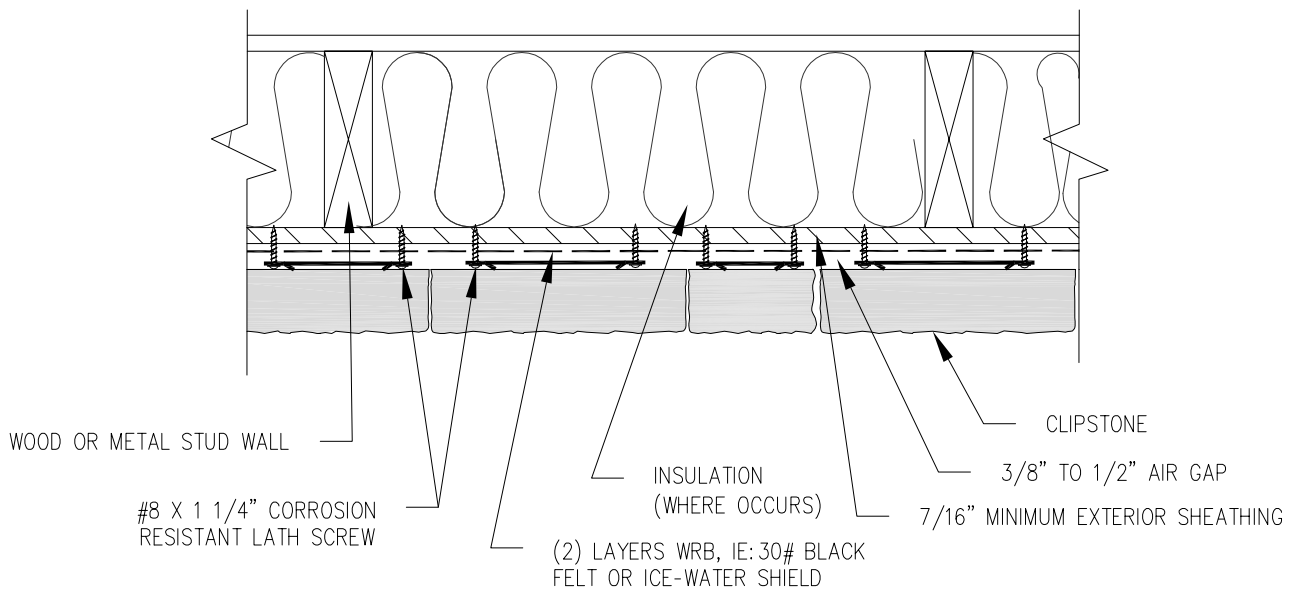
SCALE 2" = 1'-0"

COPYRIGHT 2015 ENVIRONMENTAL STONWORKS

DISCLAIMER: THESE CONSTRUCTION DETAILS ARE PROVIDED TO ASSIST IN THE INSTALLATION OF ENVIRONMENTAL STONWORKS PRODUCT(S). THESE CONSTRUCTION DETAILS WILL NOT NECESSARILY APPLY TO EVERY DESIGN CIRCUMSTANCE THAT YOU ENCOUNTER. THESE CONSTRUCTION DETAILS MAY REQUIRE MODIFICATION TO MEET YOUR PARTICULAR DESIGN REQUIREMENTS. MANUFACTURER ACCEPTS NO RESPONSIBILITY OR LIABILITY FOR USE OF THESE OR OTHER CONSTRUCTION DETAILS.

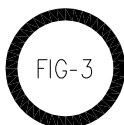
CLIPSTONE

MORTARLESS STONE VENEER
BY ENVIRONMENTAL STONEWORKS®



PLAN VIEW

TYP. WOOD OR METAL STUD WALL



SCALE 2" = 1'-0"

COPYRIGHT 2015 ENVIRONMENTAL STONEWORKS

DISCLAIMER: THESE CONSTRUCTION DETAILS ARE PROVIDED TO ASSIST IN THE INSTALLATION OF ENVIRONMENTAL STONEWORKS PRODUCT(S). THESE CONSTRUCTION DETAILS WILL NOT NECESSARILY APPLY TO EVERY DESIGN CIRCUMSTANCE THAT YOU ENCOUNTER. THESE CONSTRUCTION DETAILS MAY REQUIRE MODIFICATION TO MEET YOUR PARTICULAR DESIGN REQUIREMENTS. MANUFACTURER ACCEPTS NO RESPONSIBILITY OR LIABILITY FOR USE OF THESE OR OTHER CONSTRUCTION DETAILS.

CLIPSTONE

MORTARLESS STONE VENEER
 BY ENVIRONMENTAL STONEWORKS®

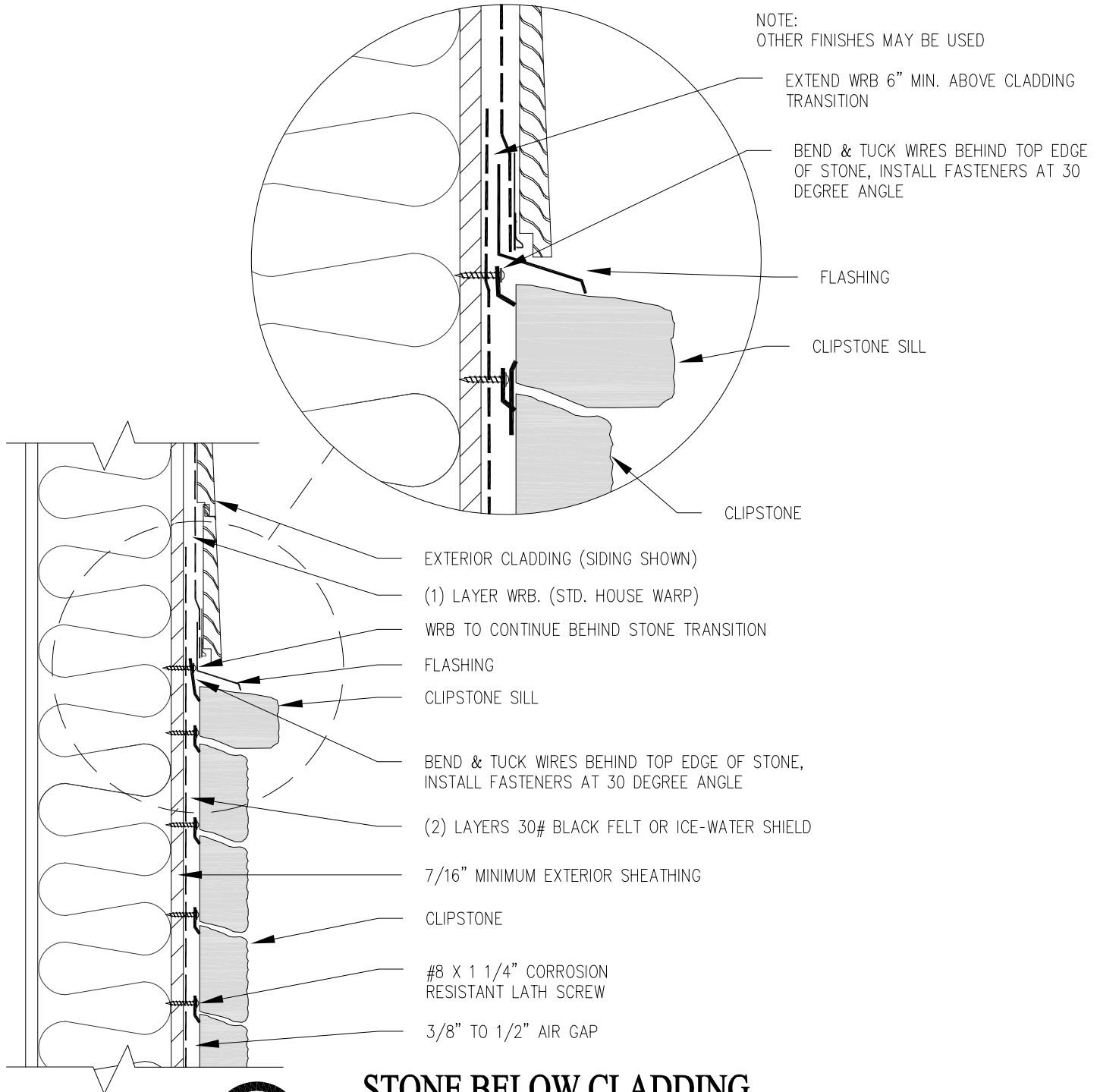


FIG-4

STONE BELOW CLADDING

SCALE 2" = 1'-0"

COPYRIGHT 2015 ENVIRONMENTAL STONEWORKS

DISCLAIMER: THESE CONSTRUCTION DETAILS ARE PROVIDED TO ASSIST IN THE INSTALLATION OF ENVIRONMENTAL STONEWORKS PRODUCT(S). THESE CONSTRUCTION DETAILS WILL NOT NECESSARILY APPLY TO EVERY DESIGN CIRCUMSTANCE THAT YOU ENCOUNTER. THESE CONSTRUCTION DETAILS MAY REQUIRE MODIFICATION TO MEET YOUR PARTICULAR DESIGN REQUIREMENTS. MANUFACTURER ACCEPTS NO RESPONSIBILITY OR LIABILITY FOR USE OF THESE OR OTHER CONSTRUCTION DETAILS.

CLIPSTONE

MORTARLESS STONE VENEER
by ENVIRONMENTAL STONWORKS®

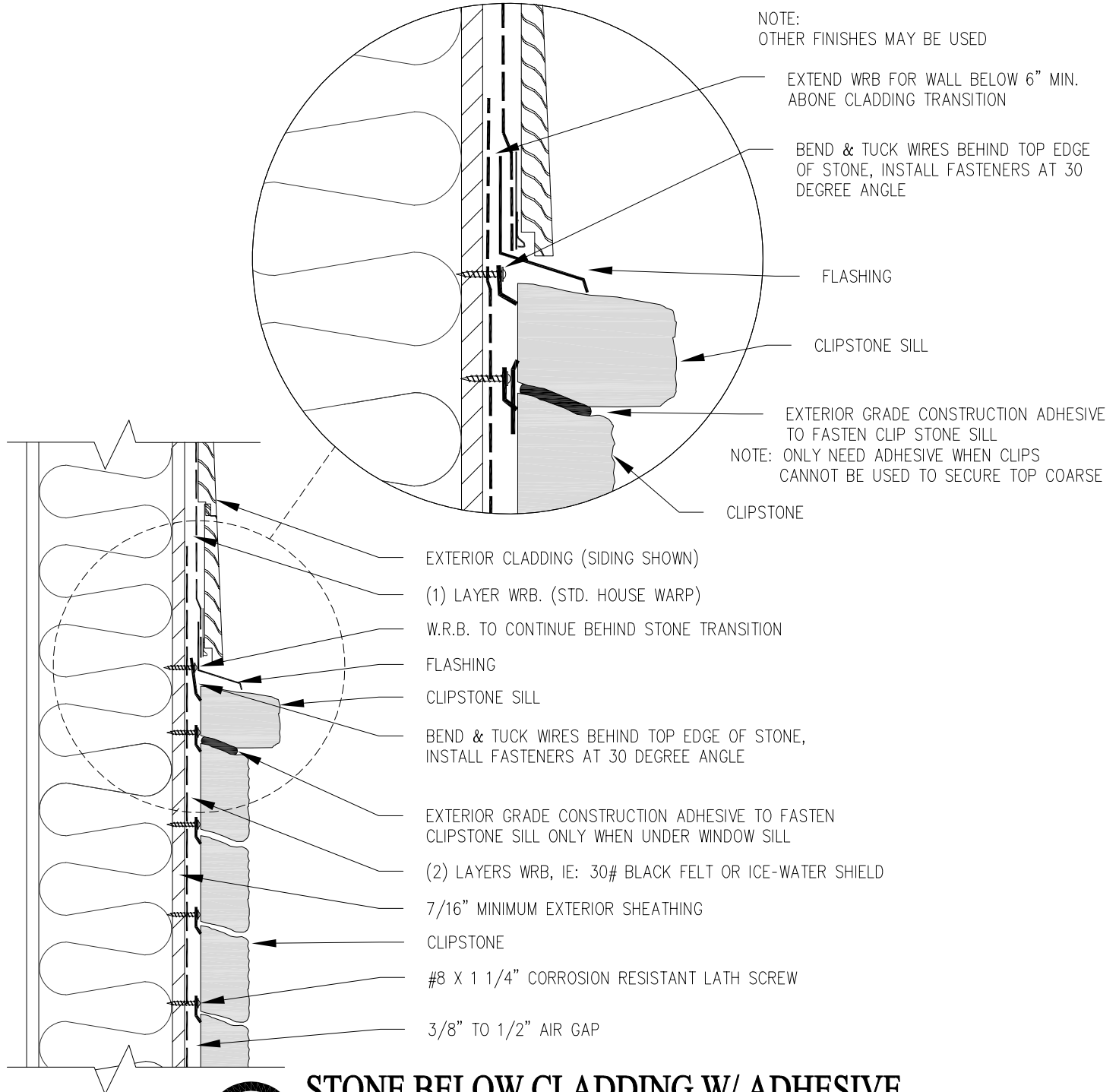


FIG-4A

STONE BELOW CLADDING W/ ADHESIVE

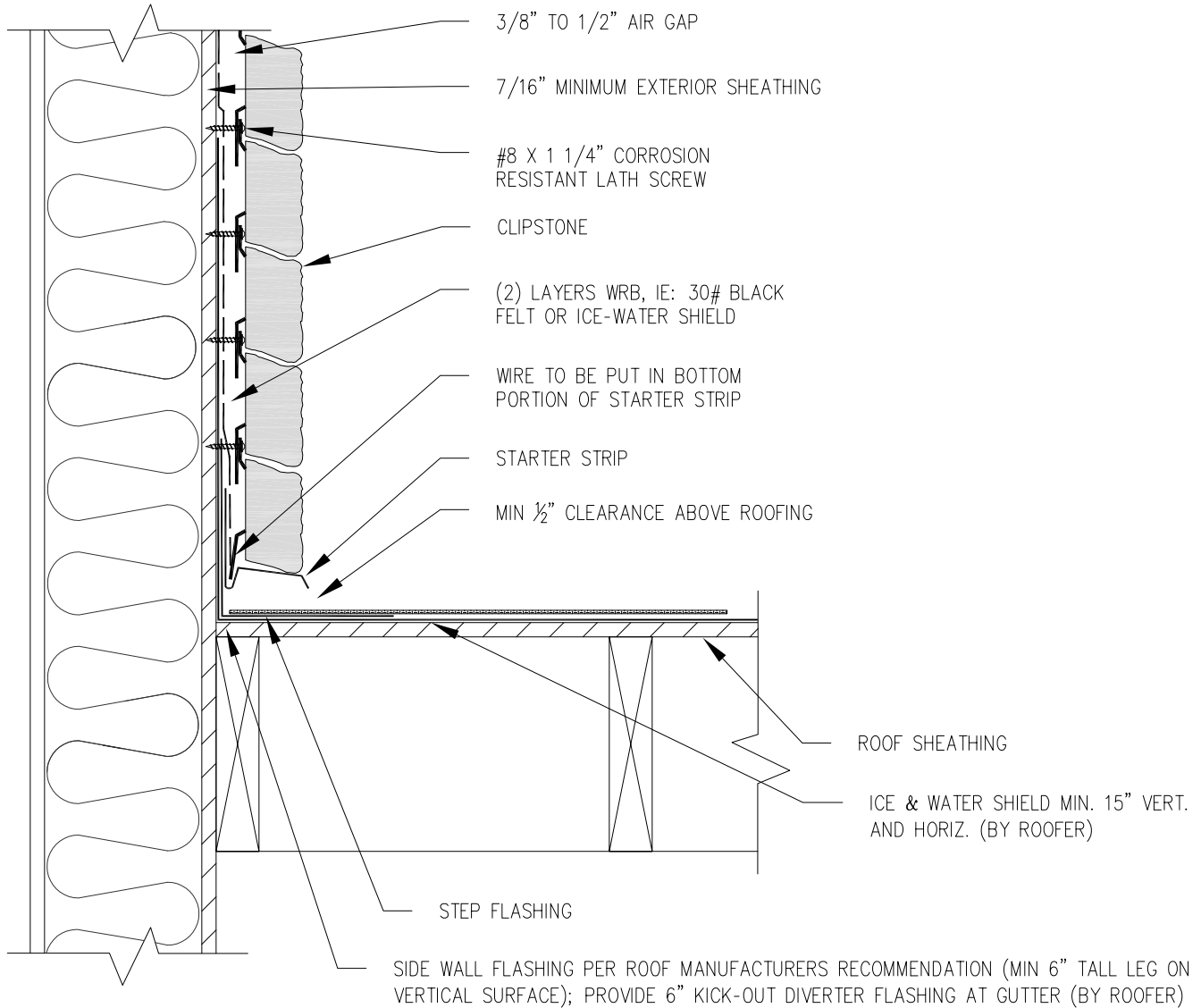
SCALE 2" = 1'-0"

COPYRIGHT 2015 ENVIRONMENTAL STONWORKS

DISCLAIMER: THESE CONSTRUCTION DETAILS ARE PROVIDED TO ASSIST IN THE INSTALLATION OF ENVIRONMENTAL STONWORKS PRODUCT(S). THESE CONSTRUCTION DETAILS WILL NOT NECESSARILY APPLY TO EVERY DESIGN CIRCUMSTANCE THAT YOU ENCOUNTER. THESE CONSTRUCTION DETAILS MAY REQUIRE MODIFICATION TO MEET YOUR PARTICULAR DESIGN REQUIREMENTS. MANUFACTURER ACCEPTS NO RESPONSIBILITY OR LIABILITY FOR USE OF THESE OR OTHER CONSTRUCTION DETAILS.

CLIPSTONE

MORTARLESS STONE VENEER
BY ENVIRONMENTAL STONWORKS®



SIDE WALL FLASHING AT ROOF

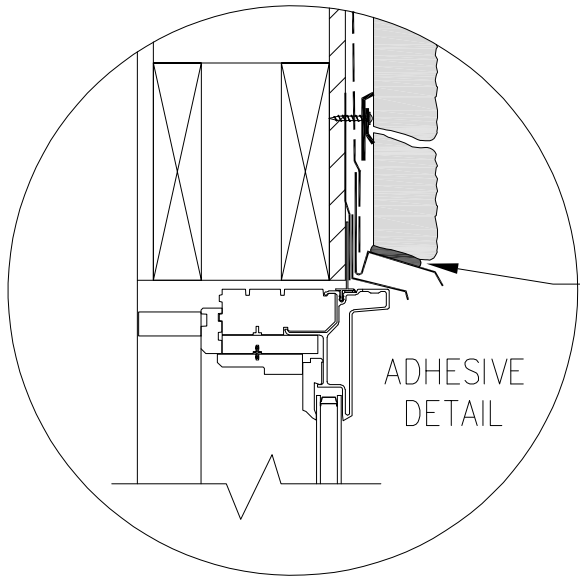
SCALE 2" = 1'-0"

COPYRIGHT 2015 ENVIRONMENTAL STONWORKS

DISCLAIMER: THESE CONSTRUCTION DETAILS ARE PROVIDED TO ASSIST IN THE INSTALLATION OF ENVIRONMENTAL STONWORKS PRODUCT(S). THESE CONSTRUCTION DETAILS WILL NOT NECESSARILY APPLY TO EVERY DESIGN CIRCUMSTANCE THAT YOU ENCOUNTER. THESE CONSTRUCTION DETAILS MAY REQUIRE MODIFICATION TO MEET YOUR PARTICULAR DESIGN REQUIREMENTS. MANUFACTURER ACCEPTS NO RESPONSIBILITY OR LIABILITY FOR USE OF THESE OR OTHER CONSTRUCTION DETAILS.

CLIPSTONE

MORTARLESS STONE VENEER
 BY ENVIRONMENTAL STONWORKS®



EXTERIOR GRADE CONSTRUCTION ADHESIVE
 TO FASTEN CLIPSTONE
 NOTE: ONLY NEED ADHESIVE WHEN CLIPS
 CANNOT BE USED TO SECURE TOP COARSE

NOTE: WINDOW FLANGE SHOULD HAVE (1) LAYER OF
 WRB ON THE INSIDE & (1) ON OUTSIDE OF
 FLANGE WITH WINDOW FLASHING TAPE APPLIED

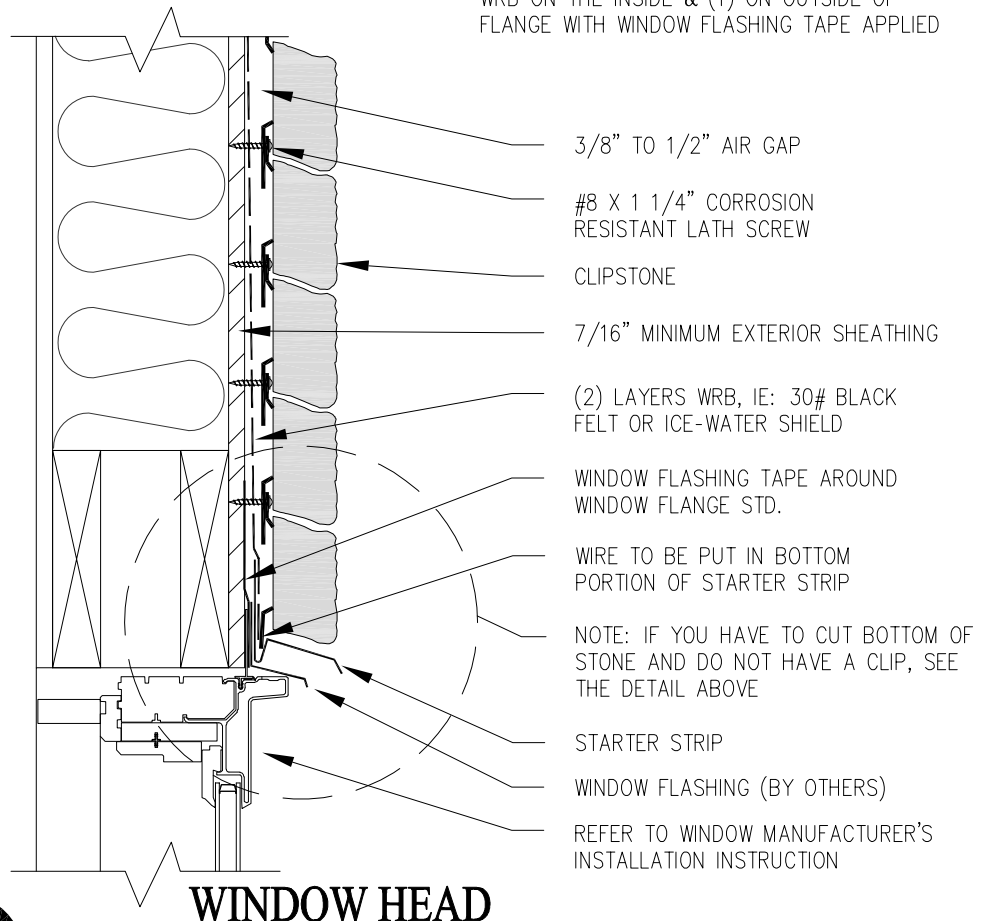


FIG-6

SCALE 2" = 1'-0"

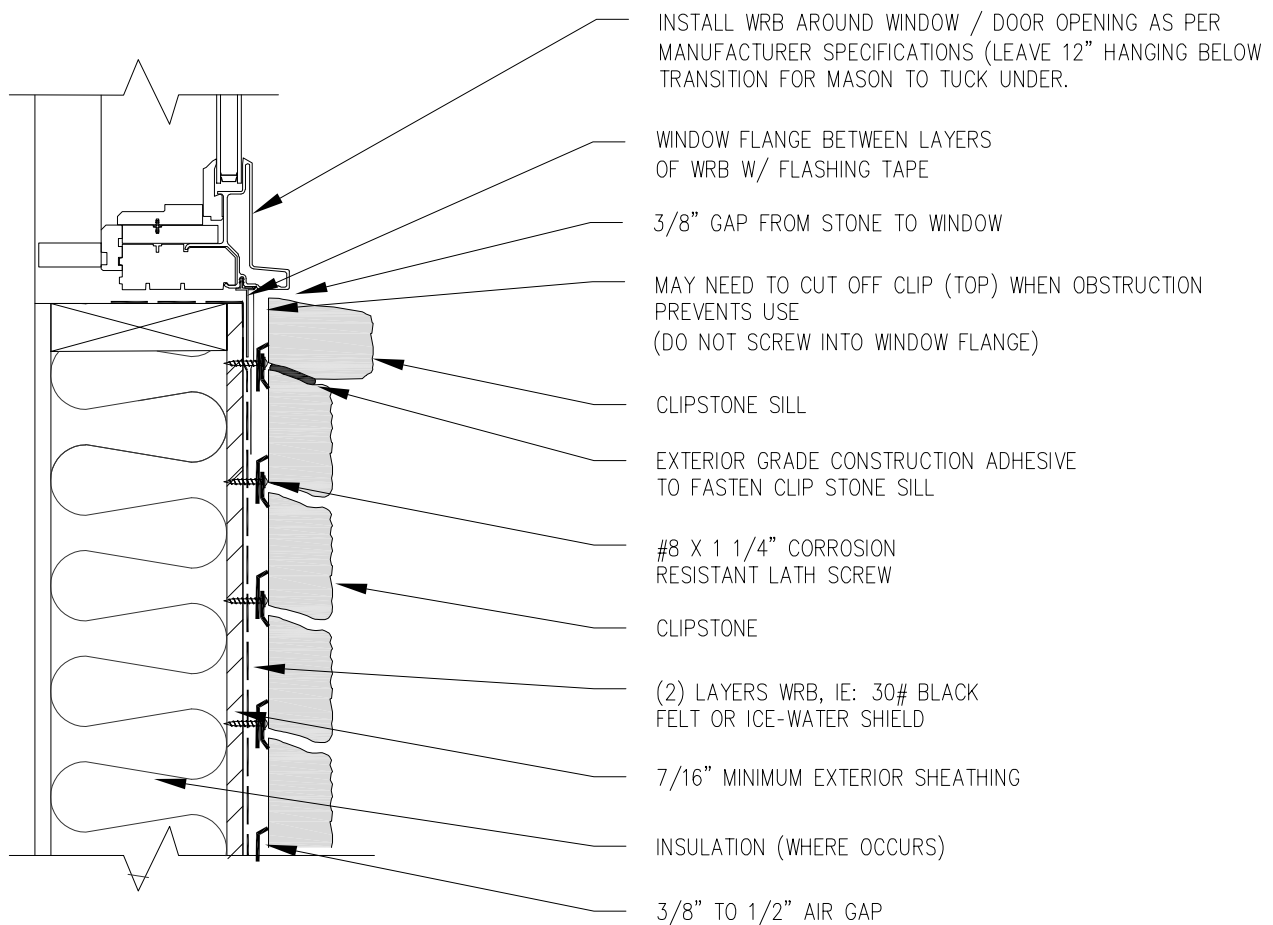
COPYRIGHT 2015 ENVIRONMENTAL STONWORKS

DISCLAIMER: THESE CONSTRUCTION DETAILS ARE PROVIDED TO ASSIST IN THE INSTALLATION OF ENVIRONMENTAL STONWORKS PRODUCT(S). THESE CONSTRUCTION DETAILS WILL NOT NECESSARILY APPLY TO EVERY DESIGN CIRCUMSTANCE THAT YOU ENCOUNTER. THESE CONSTRUCTION DETAILS MAY REQUIRE MODIFICATION TO MEET YOUR PARTICULAR DESIGN REQUIREMENTS. MANUFACTURER ACCEPTS NO RESPONSIBILITY OR LIABILITY FOR USE OF THESE OR OTHER CONSTRUCTION DETAILS.

CLIPSTONE

MORTARLESS STONE VENEER
by ENVIRONMENTAL STONWORKS®

NOTE: WINDOW FLANGE SHOULD HAVE (1) LAYER OF WRB ON THE INSIDE & (1) ON OUTSIDE OF FLANGE WITH WINDOW FLASHING TAPE APPLIED



WINDOW SILL W / STONE DRIP LEDGE

SCALE 2" = 1'-0"

COPYRIGHT 2015 ENVIRONMENTAL STONWORKS

DISCLAIMER: THESE CONSTRUCTION DETAILS ARE PROVIDED TO ASSIST IN THE INSTALLATION OF ENVIRONMENTAL STONWORKS PRODUCT(S). THESE CONSTRUCTION DETAILS WILL NOT NECESSARILY APPLY TO EVERY DESIGN CIRCUMSTANCE THAT YOU ENCOUNTER. THESE CONSTRUCTION DETAILS MAY REQUIRE MODIFICATION TO MEET YOUR PARTICULAR DESIGN REQUIREMENTS. MANUFACTURER ACCEPTS NO RESPONSIBILITY OR LIABILITY FOR USE OF THESE OR OTHER CONSTRUCTION DETAILS.

CLIPSTONE

MORTARLESS STONE VENEER
 BY ENVIRONMENTAL STONWORKS®

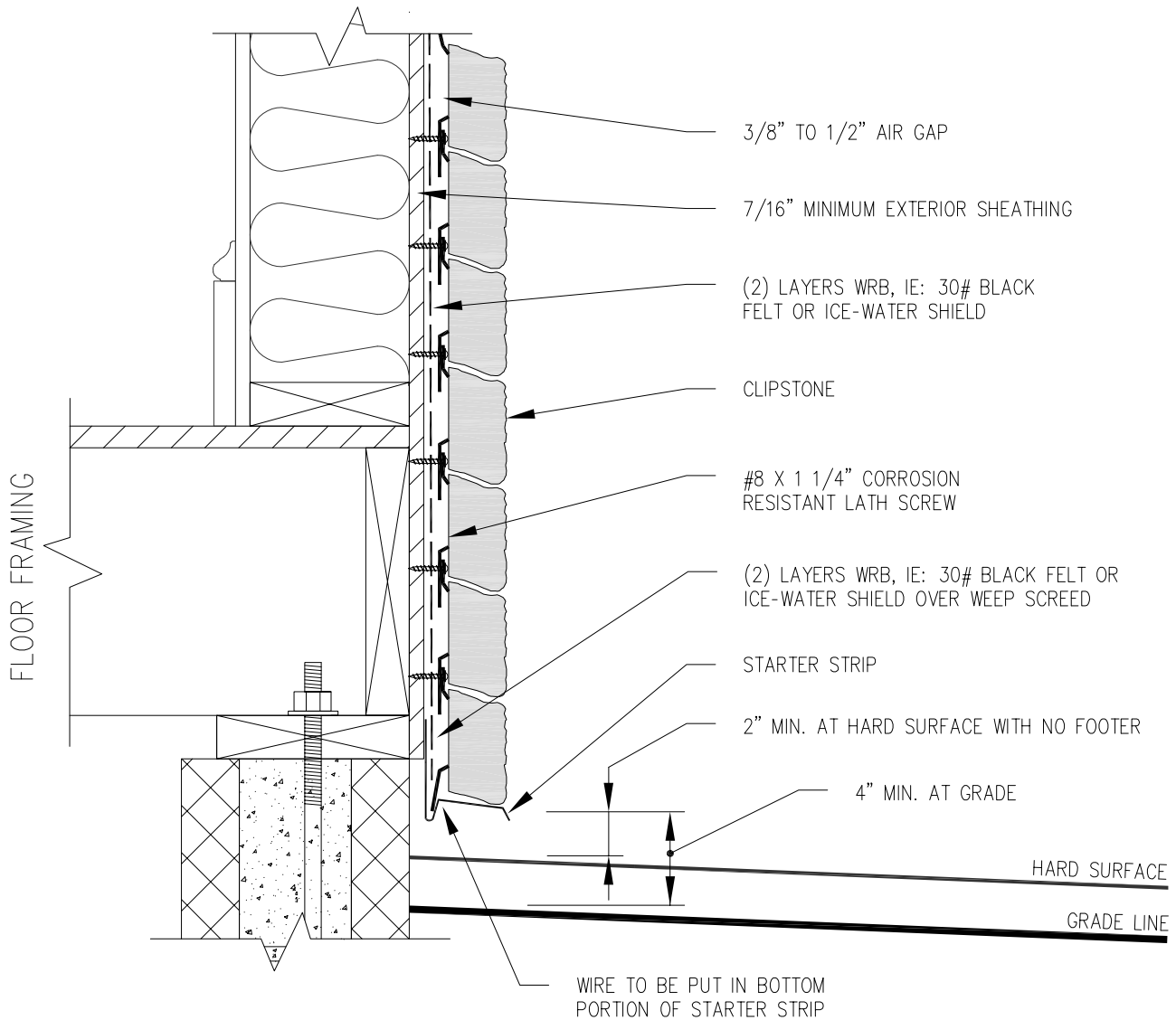


FIG-8

FOUNDATION WALL @ BASE

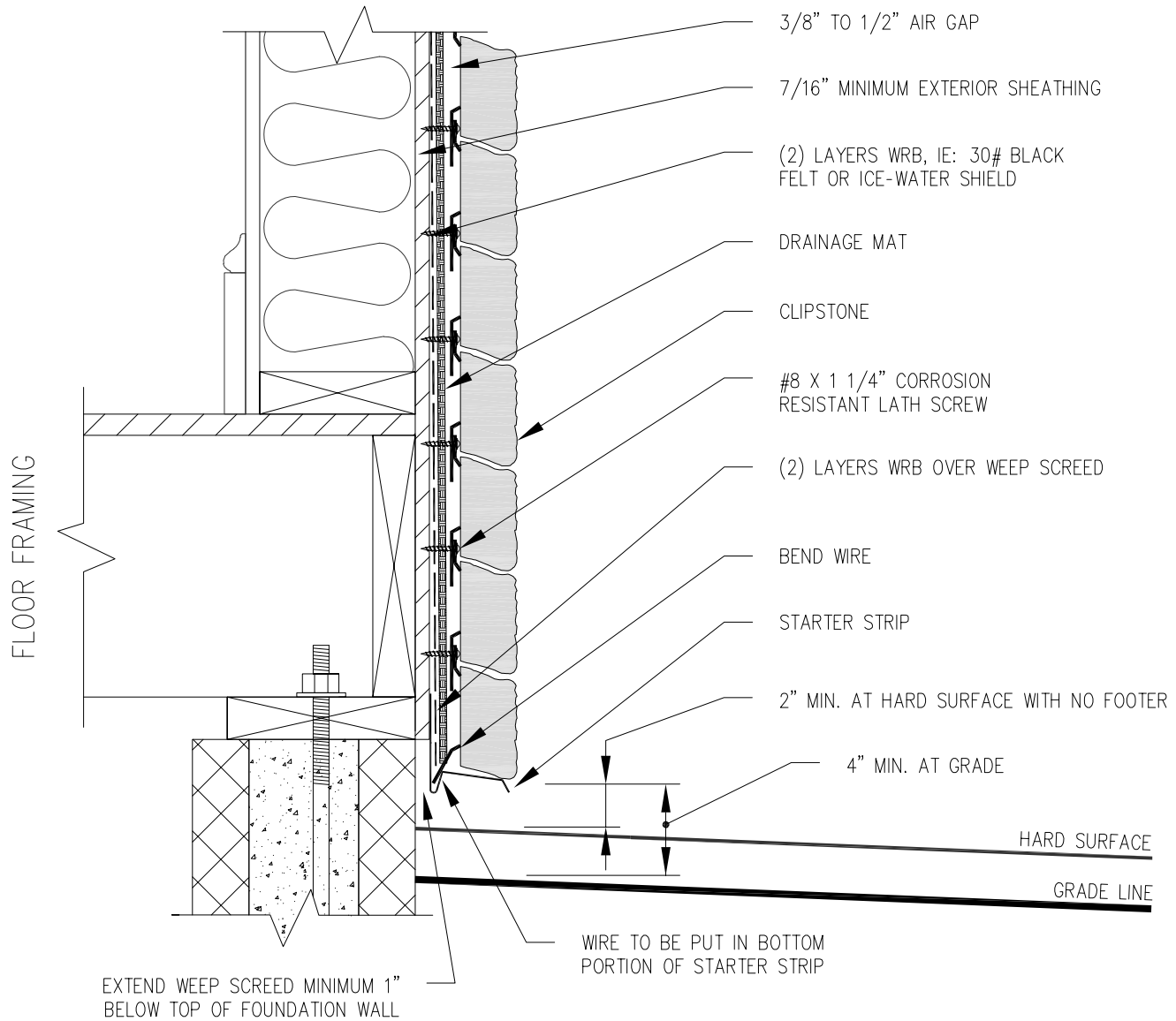
SCALE 2" = 1'-0"

COPYRIGHT 2015 ENVIRONMENTAL STONWORKS

DISCLAIMER: THESE CONSTRUCTION DETAILS ARE PROVIDED TO ASSIST IN THE INSTALLATION OF ENVIRONMENTAL STONWORKS PRODUCT(S). THESE CONSTRUCTION DETAILS WILL NOT NECESSARILY APPLY TO EVERY DESIGN CIRCUMSTANCE THAT YOU ENCOUNTER. THESE CONSTRUCTION DETAILS MAY REQUIRE MODIFICATION TO MEET YOUR PARTICULAR DESIGN REQUIREMENTS. MANUFACTURER ACCEPTS NO RESPONSIBILITY OR LIABILITY FOR USE OF THESE OR OTHER CONSTRUCTION DETAILS.

CLIPSTONE

MORTARLESS STONE VENEER
by ENVIRONMENTAL STONERWORKS®



FOUNDATION/ WALL @ BASE W/ (OPTIONAL) DRAINAGE MAT

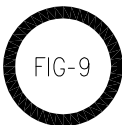


FIG-9

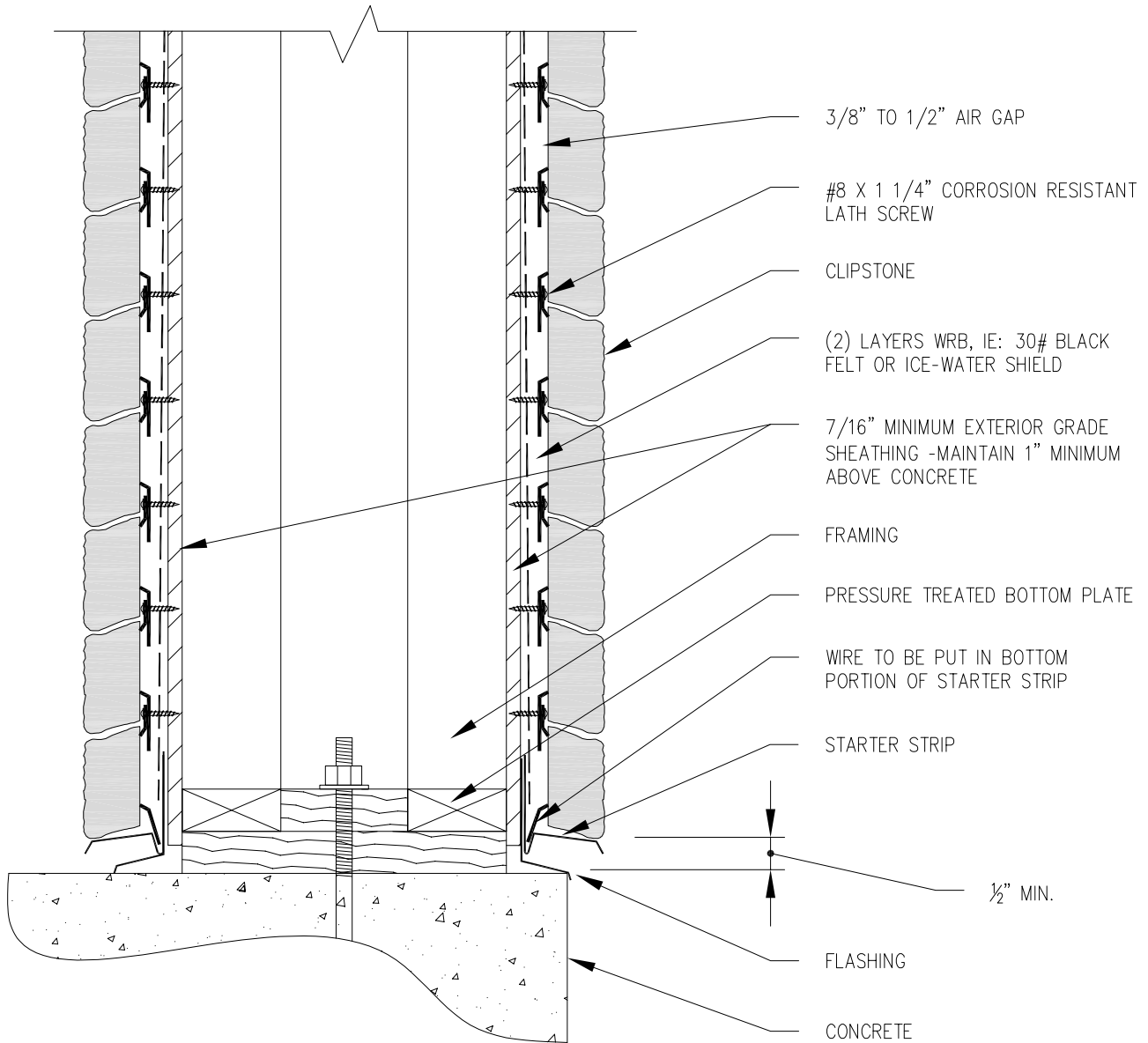
SCALE 2" = 1'-0"

COPYRIGHT 2015 ENVIRONMENTAL STONERWORKS

DISCLAIMER: THESE CONSTRUCTION DETAILS ARE PROVIDED TO ASSIST IN THE INSTALLATION OF ENVIRONMENTAL STONERWORKS PRODUCT(S). THESE CONSTRUCTION DETAILS WILL NOT NECESSARILY APPLY TO EVERY DESIGN CIRCUMSTANCE THAT YOU ENCOUNTER. THESE CONSTRUCTION DETAILS MAY REQUIRE MODIFICATION TO MEET YOUR PARTICULAR DESIGN REQUIREMENTS. MANUFACTURER ACCEPTS NO RESPONSIBILITY OR LIABILITY FOR USE OF THESE OR OTHER CONSTRUCTION DETAILS.

CLIPSTONE

MORTARLESS STONE VENEER
 by ENVIRONMENTAL STONWORKS®



WOOD COLUMN BASE

FIG-10

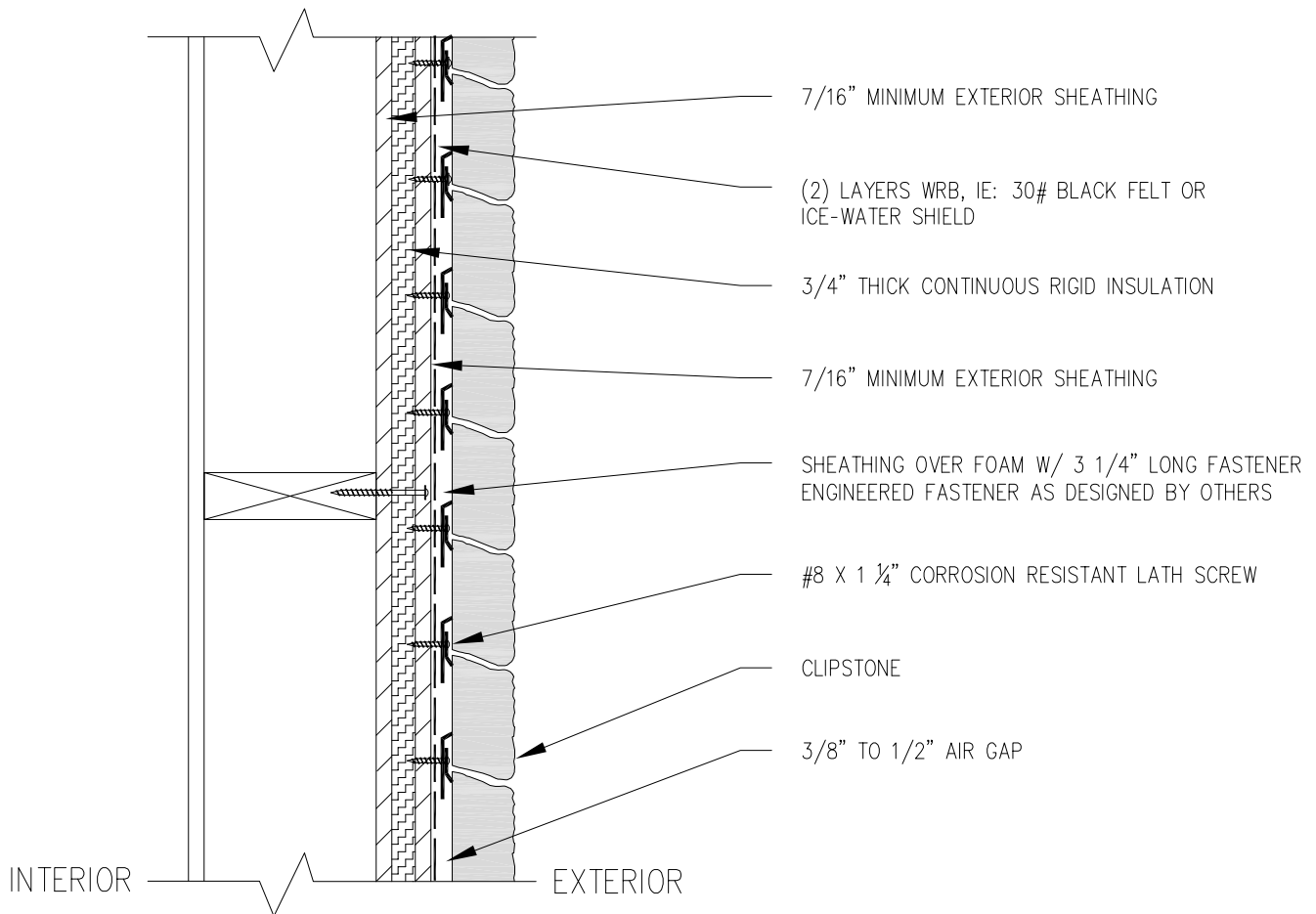
SCALE 2" = 1'-0"

COPYRIGHT 2015 ENVIRONMENTAL STONWORKS

DISCLAIMER: THESE CONSTRUCTION DETAILS ARE PROVIDED TO ASSIST IN THE INSTALLATION OF ENVIRONMENTAL STONWORKS PRODUCT(S). THESE CONSTRUCTION DETAILS WILL NOT NECESSARILY APPLY TO EVERY DESIGN CIRCUMSTANCE THAT YOU ENCOUNTER. THESE CONSTRUCTION DETAILS MAY REQUIRE MODIFICATION TO MEET YOUR PARTICULAR DESIGN REQUIREMENTS. MANUFACTURER ACCEPTS NO RESPONSIBILITY OR LIABILITY FOR USE OF THESE OR OTHER CONSTRUCTION DETAILS.

CLIPSTONE

MORTARLESS STONE VENEER
by ENVIRONMENTAL STONWORKS®



WALL OVER

CONTINUOUS RIGID INSULATION

FIG-11

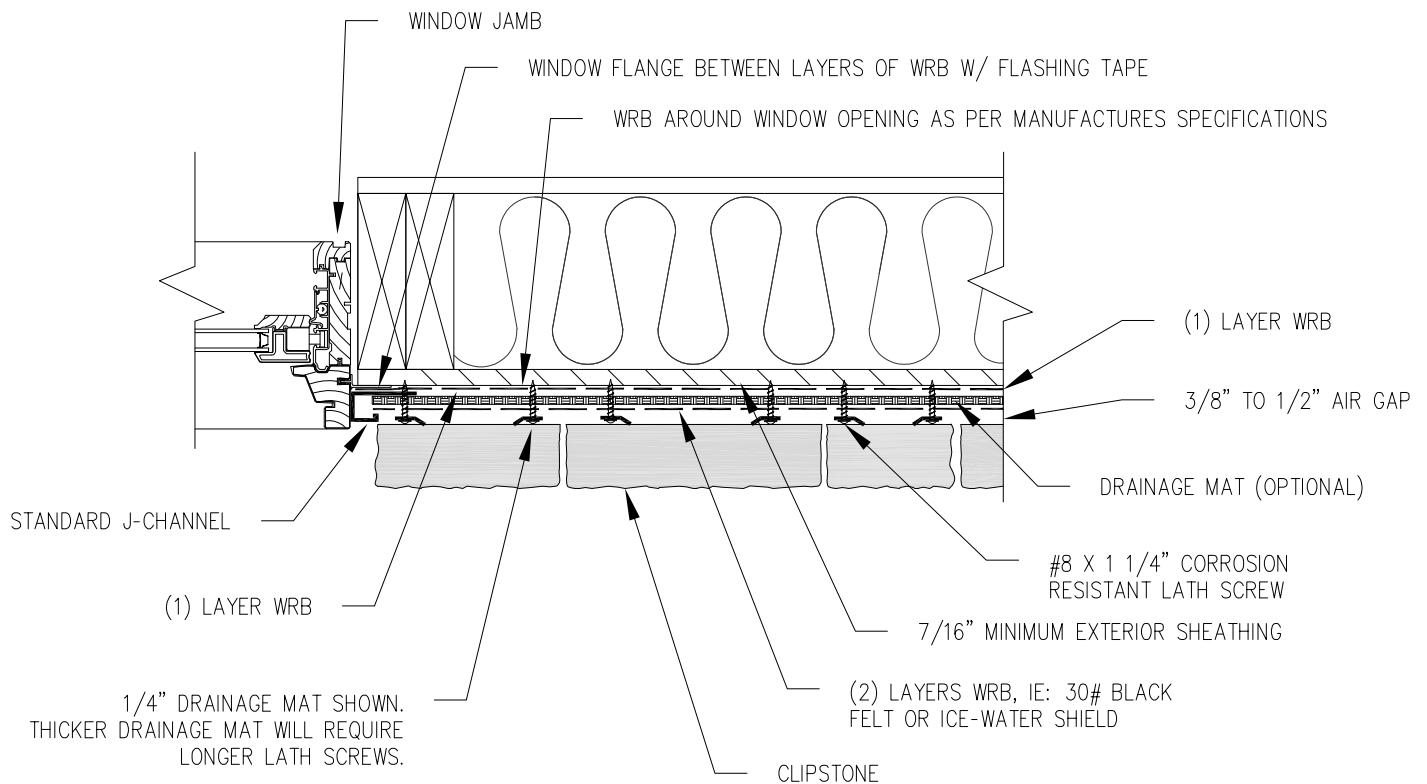
SCALE 2" = 1'-0"

COPYRIGHT 2015 ENVIRONMENTAL STONWORKS

DISCLAIMER: THESE CONSTRUCTION DETAILS ARE PROVIDED TO ASSIST IN THE INSTALLATION OF ENVIRONMENTAL STONWORKS PRODUCT(S). THESE CONSTRUCTION DETAILS WILL NOT NECESSARILY APPLY TO EVERY DESIGN CIRCUMSTANCE THAT YOU ENCOUNTER. THESE CONSTRUCTION DETAILS MAY REQUIRE MODIFICATION TO MEET YOUR PARTICULAR DESIGN REQUIREMENTS. MANUFACTURER ACCEPTS NO RESPONSIBILITY OR LIABILITY FOR USE OF THESE OR OTHER CONSTRUCTION DETAILS.

CLIPSTONE

MORTARLESS STONE VENEER
by ENVIRONMENTAL STONWORKS®



TOP VIEW WINDOW JAMB - OPT DRAINAGE MAT

FIG-12

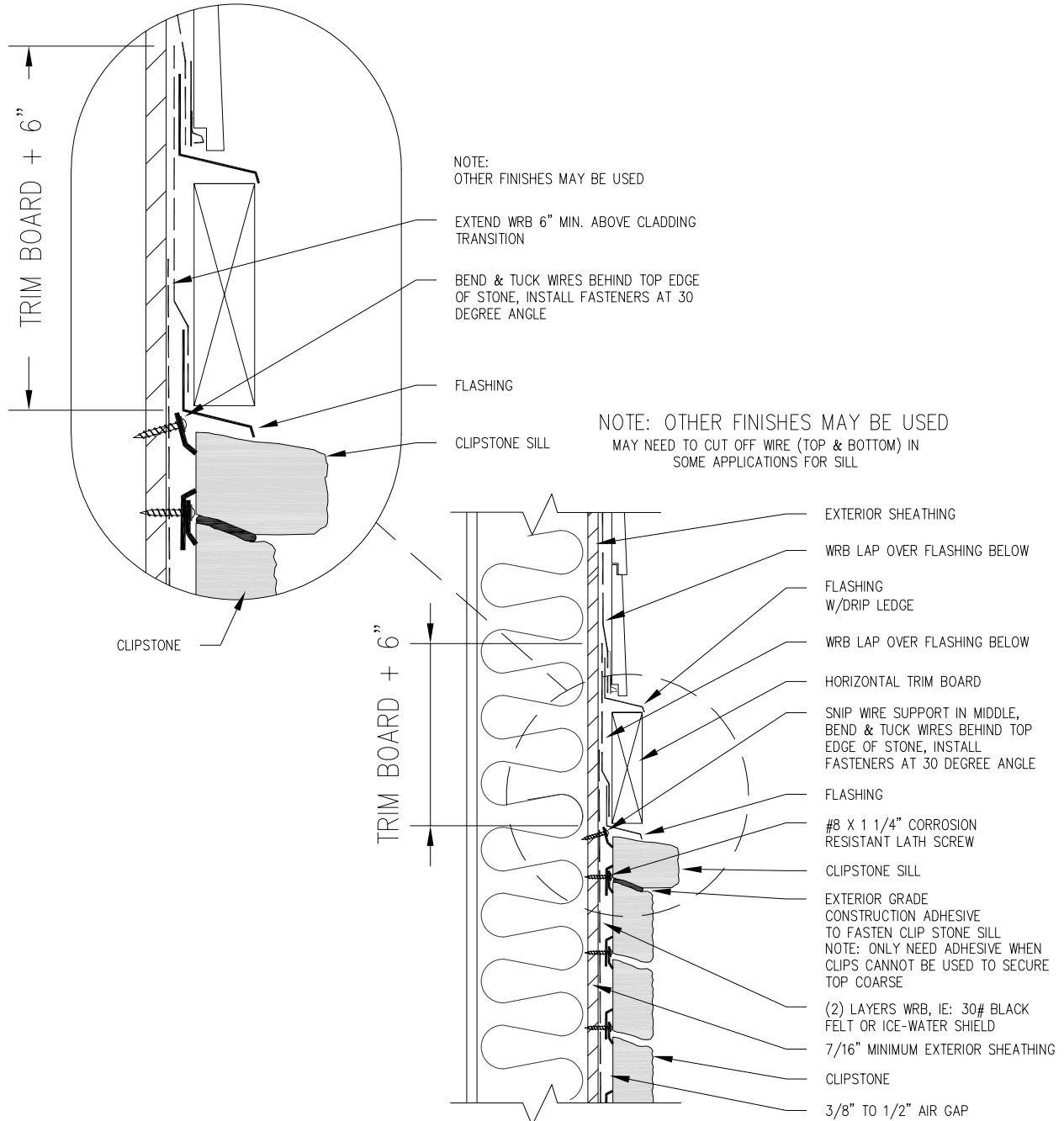
SCALE 2" = 1'-0"

COPYRIGHT 2015 ENVIRONMENTAL STONWORKS

DISCLAIMER: THESE CONSTRUCTION DETAILS ARE PROVIDED TO ASSIST IN THE INSTALLATION OF ENVIRONMENTAL STONWORKS PRODUCT(S). THESE CONSTRUCTION DETAILS WILL NOT NECESSARILY APPLY TO EVERY DESIGN CIRCUMSTANCE THAT YOU ENCOUNTER. THESE CONSTRUCTION DETAILS MAY REQUIRE MODIFICATION TO MEET YOUR PARTICULAR DESIGN REQUIREMENTS. MANUFACTURER ACCEPTS NO RESPONSIBILITY OR LIABILITY FOR USE OF THESE OR OTHER CONSTRUCTION DETAILS.

CLIPSTONE

MORTARLESS STONE VENEER
by ENVIRONMENTAL STONWORKS®



HORIZONTAL TRANSITION W/STONE DRIP LEDGE



FIG-13

SCALE 1 1/2" = 1'-0"

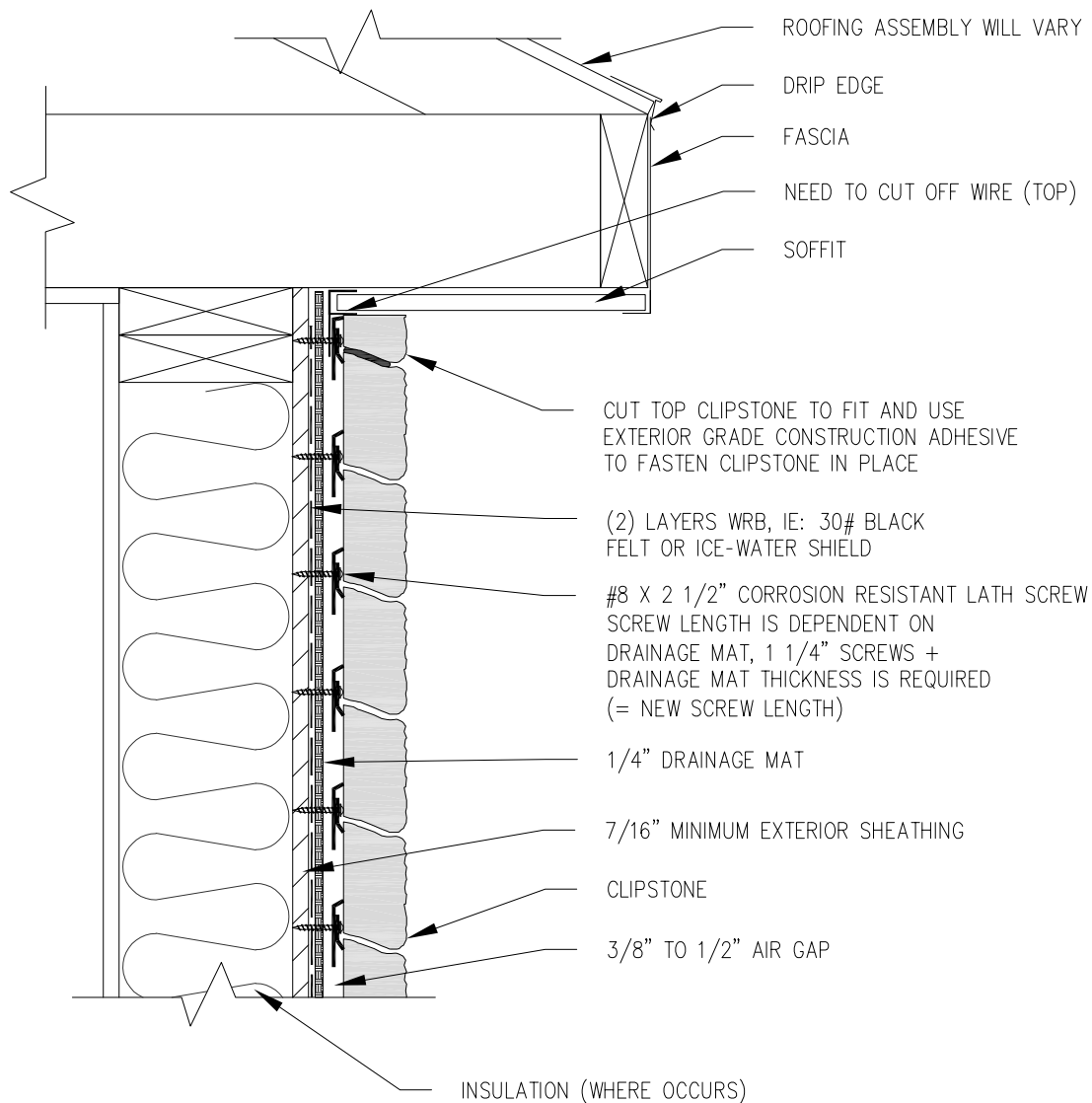
COPYRIGHT 2015 ENVIRONMENTAL STONWORKS

DISCLAIMER: THESE CONSTRUCTION DETAILS ARE PROVIDED TO ASSIST IN THE INSTALLATION OF ENVIRONMENTAL STONWORKS PRODUCT(S). THESE CONSTRUCTION DETAILS WILL NOT NECESSARILY APPLY TO EVERY DESIGN CIRCUMSTANCE THAT YOU ENCOUNTER. THESE CONSTRUCTION DETAILS MAY REQUIRE MODIFICATION TO MEET YOUR PARTICULAR DESIGN REQUIREMENTS. MANUFACTURER ACCEPTS NO RESPONSIBILITY OR LIABILITY FOR USE OF THESE OR OTHER CONSTRUCTION DETAILS.

CLIPSTONE

MORTARLESS STONE VENEER
 BY ENVIRONMENTAL STONWORKS®

MAY NEED TO CUT OFF WIRE & STONE ON LAST
 ROW TOP OF WALL UNDER EAV.



TOP OF WALL W/ DRAINAGE MAT

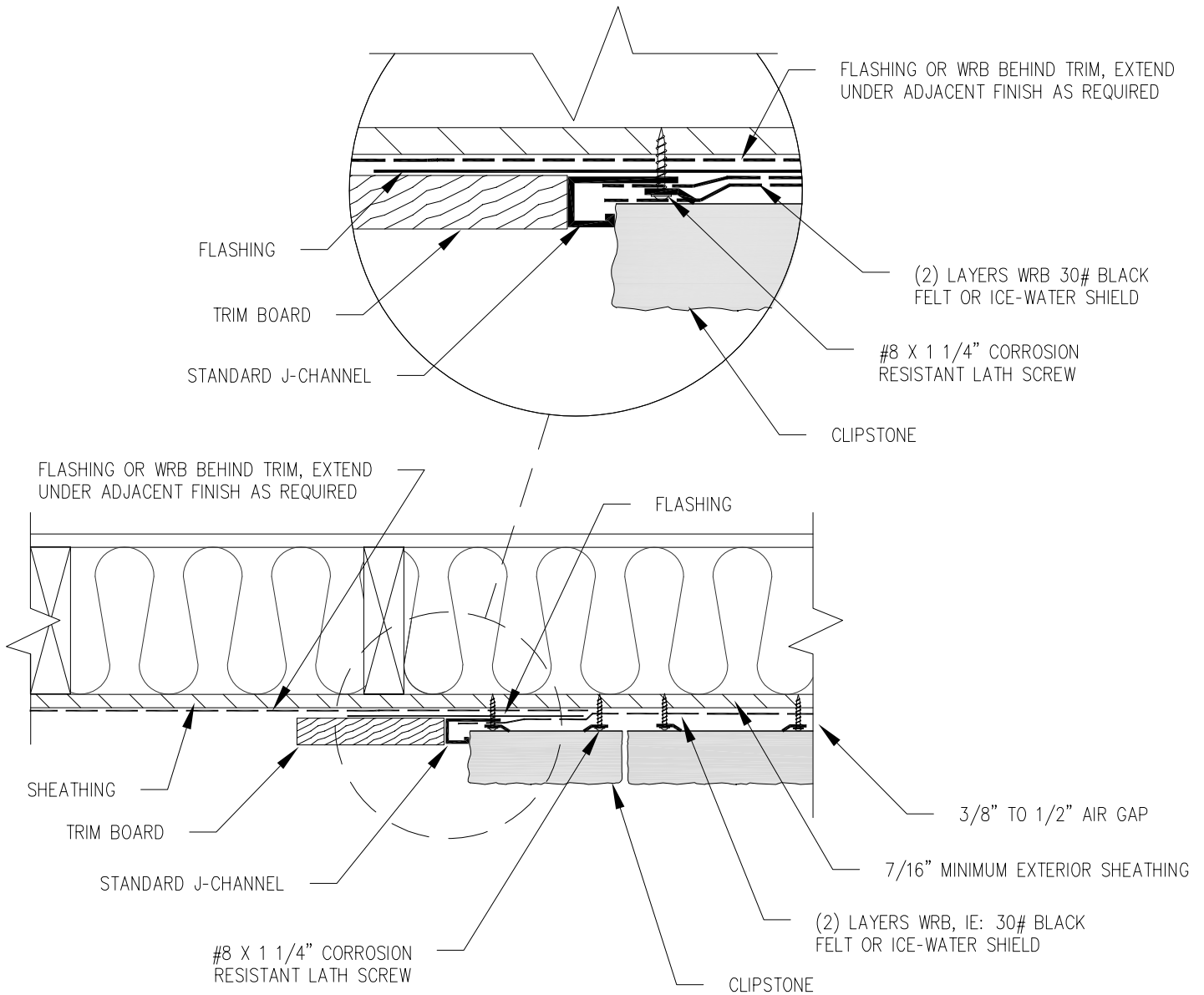
SCALE 2" = 1'-0"

COPYRIGHT 2015 ENVIRONMENTAL STONWORKS

DISCLAIMER: THESE CONSTRUCTION DETAILS ARE PROVIDED TO ASSIST IN THE INSTALLATION OF ENVIRONMENTAL STONWORKS PRODUCT(S). THESE CONSTRUCTION DETAILS WILL NOT NECESSARILY APPLY TO EVERY DESIGN CIRCUMSTANCE THAT YOU ENCOUNTER. THESE CONSTRUCTION DETAILS MAY REQUIRE MODIFICATION TO MEET YOUR PARTICULAR DESIGN REQUIREMENTS. MANUFACTURER ACCEPTS NO RESPONSIBILITY OR LIABILITY FOR USE OF THESE OR OTHER CONSTRUCTION DETAILS.

CLIPSTONE

MORTARLESS STONE VENEER
 BY ENVIRONMENTAL STONWORKS®



VERTICAL TRANSITION @ DISSIMILAR MATERIAL



SCALE 2" = 1'-0"

COPYRIGHT 2015 ENVIRONMENTAL STONWORKS

DISCLAIMER: THESE CONSTRUCTION DETAILS ARE PROVIDED TO ASSIST IN THE INSTALLATION OF ENVIRONMENTAL STONWORKS PRODUCT(S). THESE CONSTRUCTION DETAILS WILL NOT NECESSARILY APPLY TO EVERY DESIGN CIRCUMSTANCE THAT YOU ENCOUNTER. THESE CONSTRUCTION DETAILS MAY REQUIRE MODIFICATION TO MEET YOUR PARTICULAR DESIGN REQUIREMENTS. MANUFACTURER ACCEPTS NO RESPONSIBILITY OR LIABILITY FOR USE OF THESE OR OTHER CONSTRUCTION DETAILS.

CLIPSTONE

MORTARLESS STONE VENEER
by ENVIRONMENTAL STONWORKS®

OPTIONAL DRAINAGE MAT DETAIL

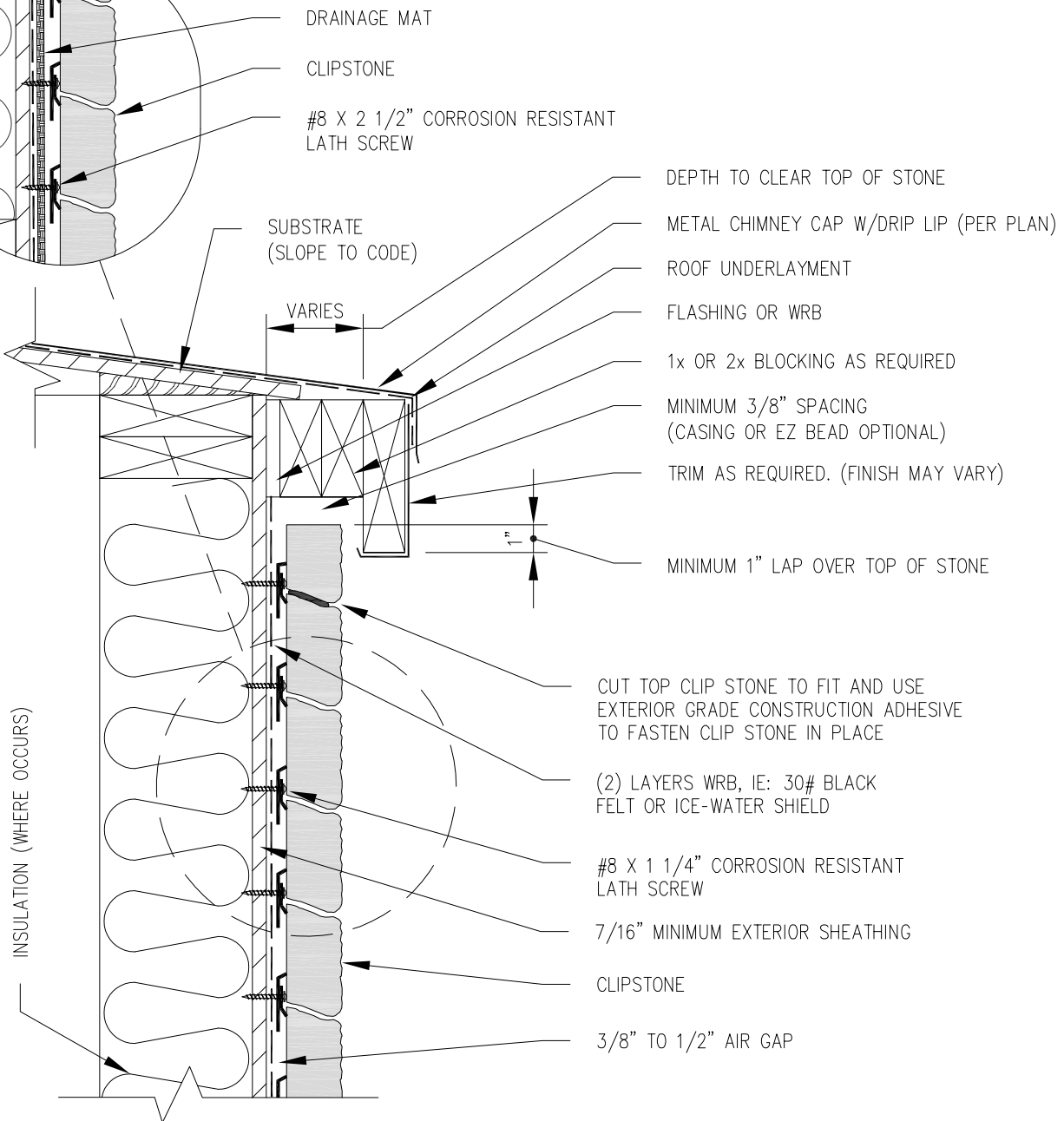
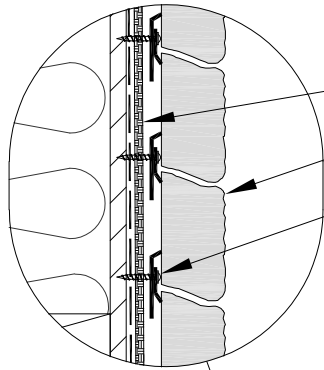


FIG-16

CHIMNEY CAP

SCALE 2" = 1'-0"

COPYRIGHT 2015 ENVIRONMENTAL STONWORKS

DISCLAIMER: THESE CONSTRUCTION DETAILS ARE PROVIDED TO ASSIST IN THE INSTALLATION OF ENVIRONMENTAL STONWORKS PRODUCT(S). THESE CONSTRUCTION DETAILS WILL NOT NECESSARILY APPLY TO EVERY DESIGN CIRCUMSTANCE THAT YOU ENCOUNTER. THESE CONSTRUCTION DETAILS MAY REQUIRE MODIFICATION TO MEET YOUR PARTICULAR DESIGN REQUIREMENTS. MANUFACTURER ACCEPTS NO RESPONSIBILITY OR LIABILITY FOR USE OF THESE OR OTHER CONSTRUCTION DETAILS.

CLIPSTONE

MORTARLESS STONE VENEER
by ENVIRONMENTAL STONWORKS®

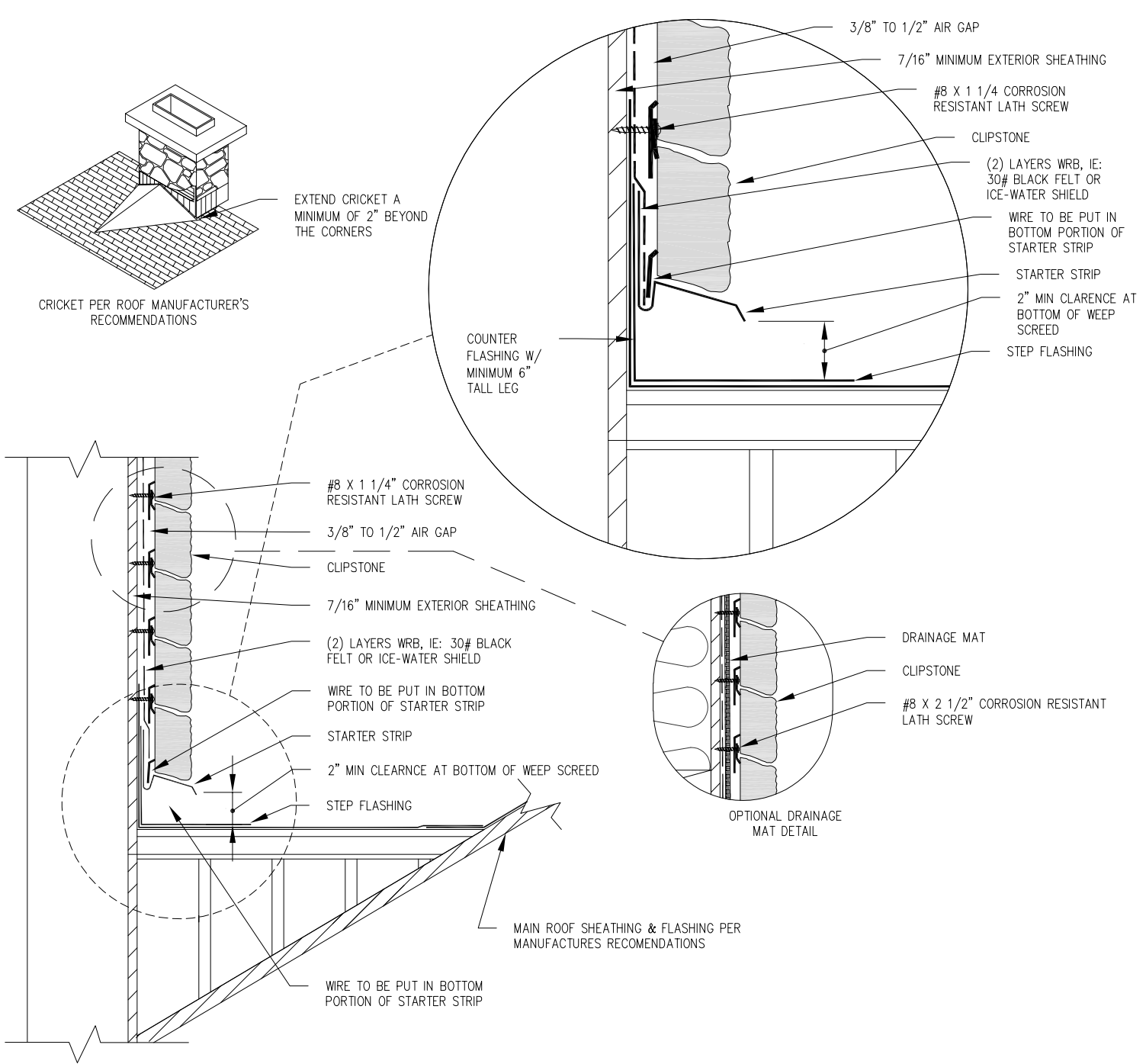


FIG-17

CHIMNEY ROOF CRICKET

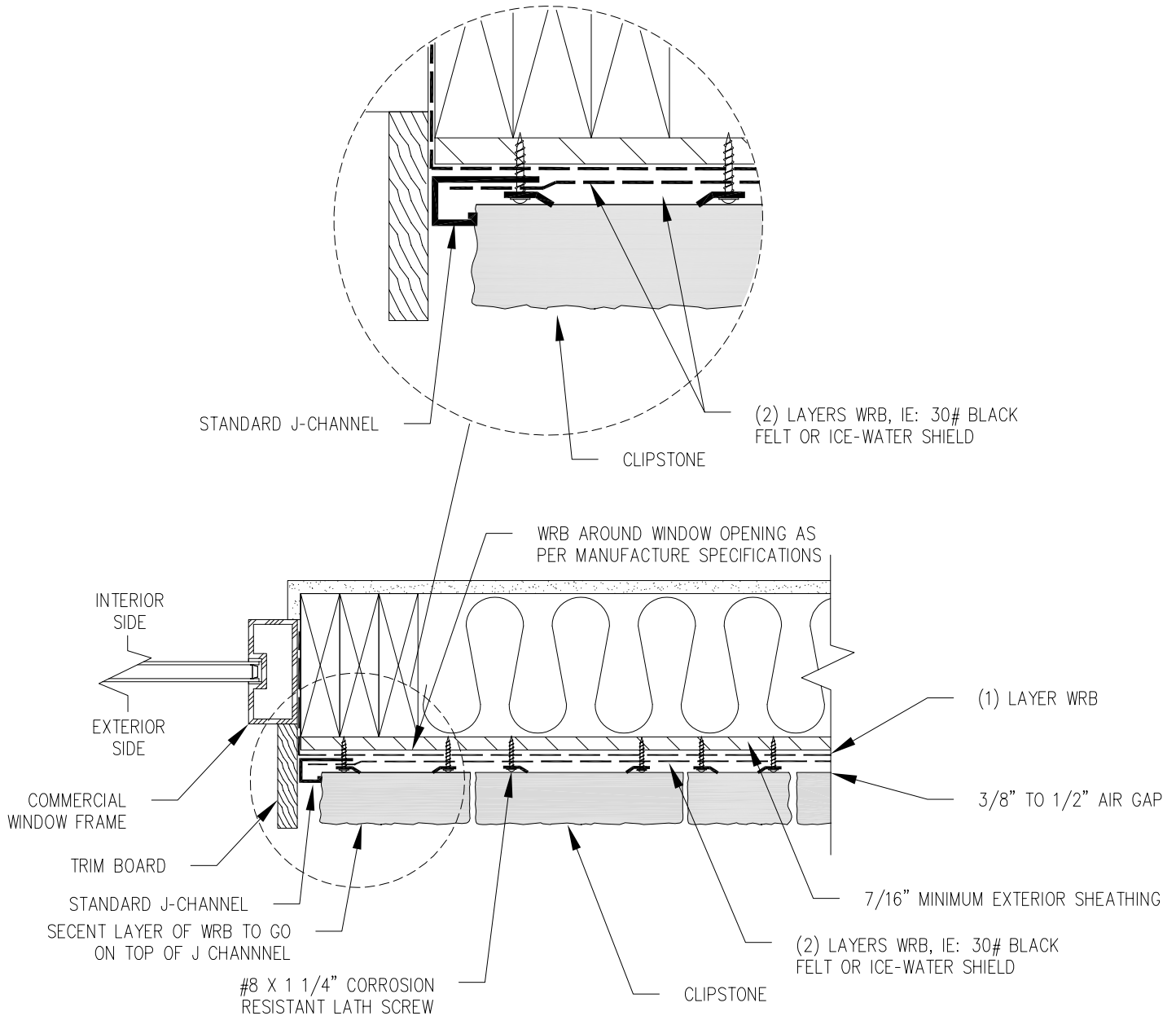
SCALE 1 1/2" = 1'-0"

COPYRIGHT 2015 ENVIRONMENTAL STONWORKS

DISCLAIMER: THESE CONSTRUCTION DETAILS ARE PROVIDED TO ASSIST IN THE INSTALLATION OF ENVIRONMENTAL STONWORKS PRODUCT(S). THESE CONSTRUCTION DETAILS WILL NOT NECESSARILY APPLY TO EVERY DESIGN CIRCUMSTANCE THAT YOU ENCOUNTER. THESE CONSTRUCTION DETAILS MAY REQUIRE MODIFICATION TO MEET YOUR PARTICULAR DESIGN REQUIREMENTS. MANUFACTURER ACCEPTS NO RESPONSIBILITY OR LIABILITY FOR USE OF THESE OR OTHER CONSTRUCTION DETAILS.

CLIPSTONE

MORTARLESS STONE VENEER
by ENVIRONMENTAL STONEWORKS®



COMMERCIAL WINDOW - JAMB W/TRIM

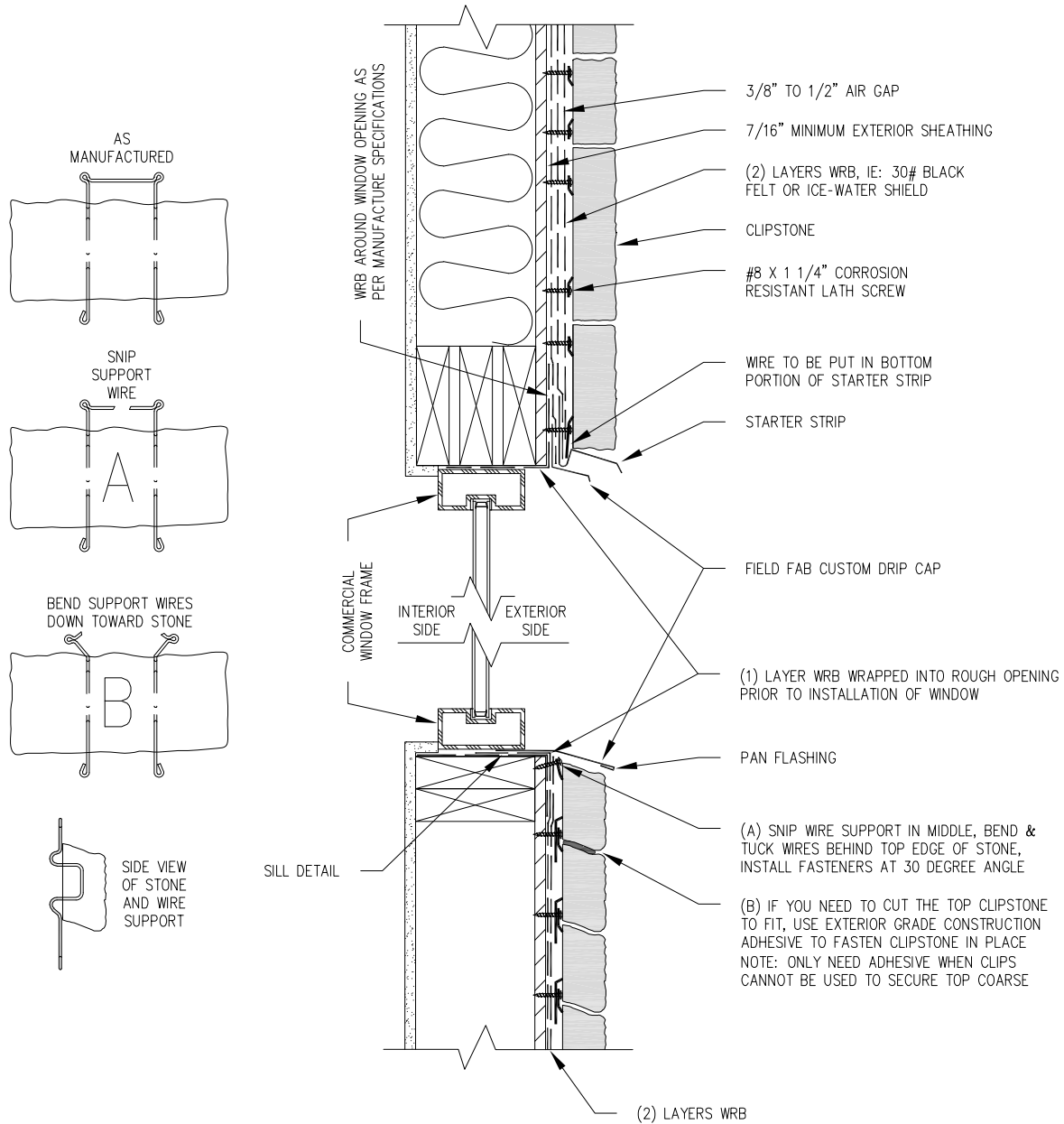
SCALE 2" = 1'-0"

COPYRIGHT 2015 ENVIRONMENTAL STONEWORKS

DISCLAIMER: THESE CONSTRUCTION DETAILS ARE PROVIDED TO ASSIST IN THE INSTALLATION OF ENVIRONMENTAL STONEWORKS PRODUCT(S). THESE CONSTRUCTION DETAILS WILL NOT NECESSARILY APPLY TO EVERY DESIGN CIRCUMSTANCE THAT YOU ENCOUNTER. THESE CONSTRUCTION DETAILS MAY REQUIRE MODIFICATION TO MEET YOUR PARTICULAR DESIGN REQUIREMENTS. MANUFACTURER ACCEPTS NO RESPONSIBILITY OR LIABILITY FOR USE OF THESE OR OTHER CONSTRUCTION DETAILS.

CLIPSTONE

MORTARLESS STONE VENEER
by ENVIRONMENTAL STONEWORKS®



COMMERCIAL WINDOW - HEADER AND SILL

FIG-19

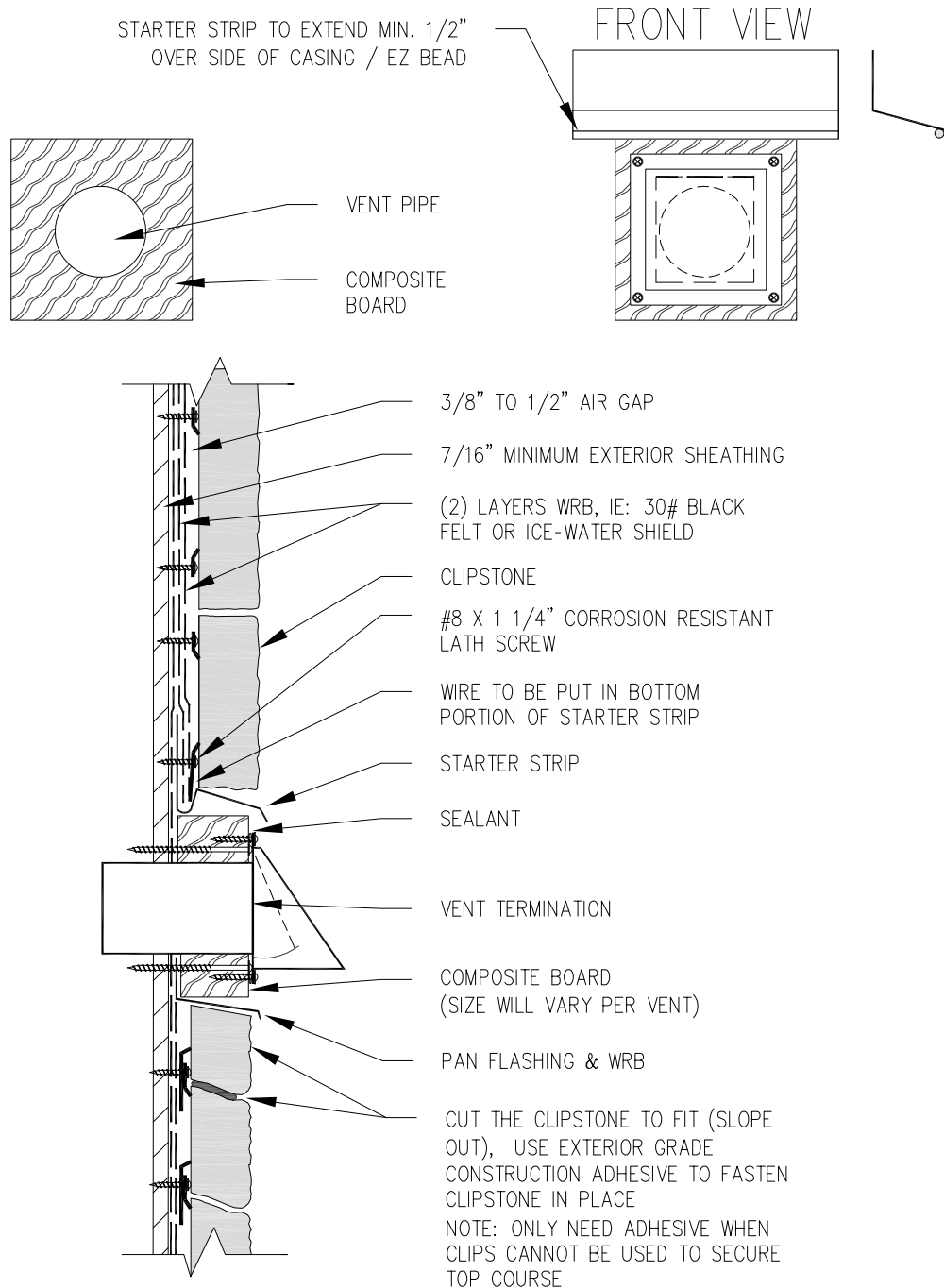
SCALE 1 1/2" = 1'-0"

COPYRIGHT 2015 ENVIRONMENTAL STONEWORKS

DISCLAIMER: THESE CONSTRUCTION DETAILS ARE PROVIDED TO ASSIST IN THE INSTALLATION OF ENVIRONMENTAL STONEWORKS PRODUCT(S). THESE CONSTRUCTION DETAILS WILL NOT NECESSARILY APPLY TO EVERY DESIGN CIRCUMSTANCE THAT YOU ENCOUNTER. THESE CONSTRUCTION DETAILS MAY REQUIRE MODIFICATION TO MEET YOUR PARTICULAR DESIGN REQUIREMENTS. MANUFACTURER ACCEPTS NO RESPONSIBILITY OR LIABILITY FOR USE OF THESE OR OTHER CONSTRUCTION DETAILS.

CLIPSTONE

MORTARLESS STONE VENEER
by ENVIRONMENTAL STONWORKS®



DRYER VENT



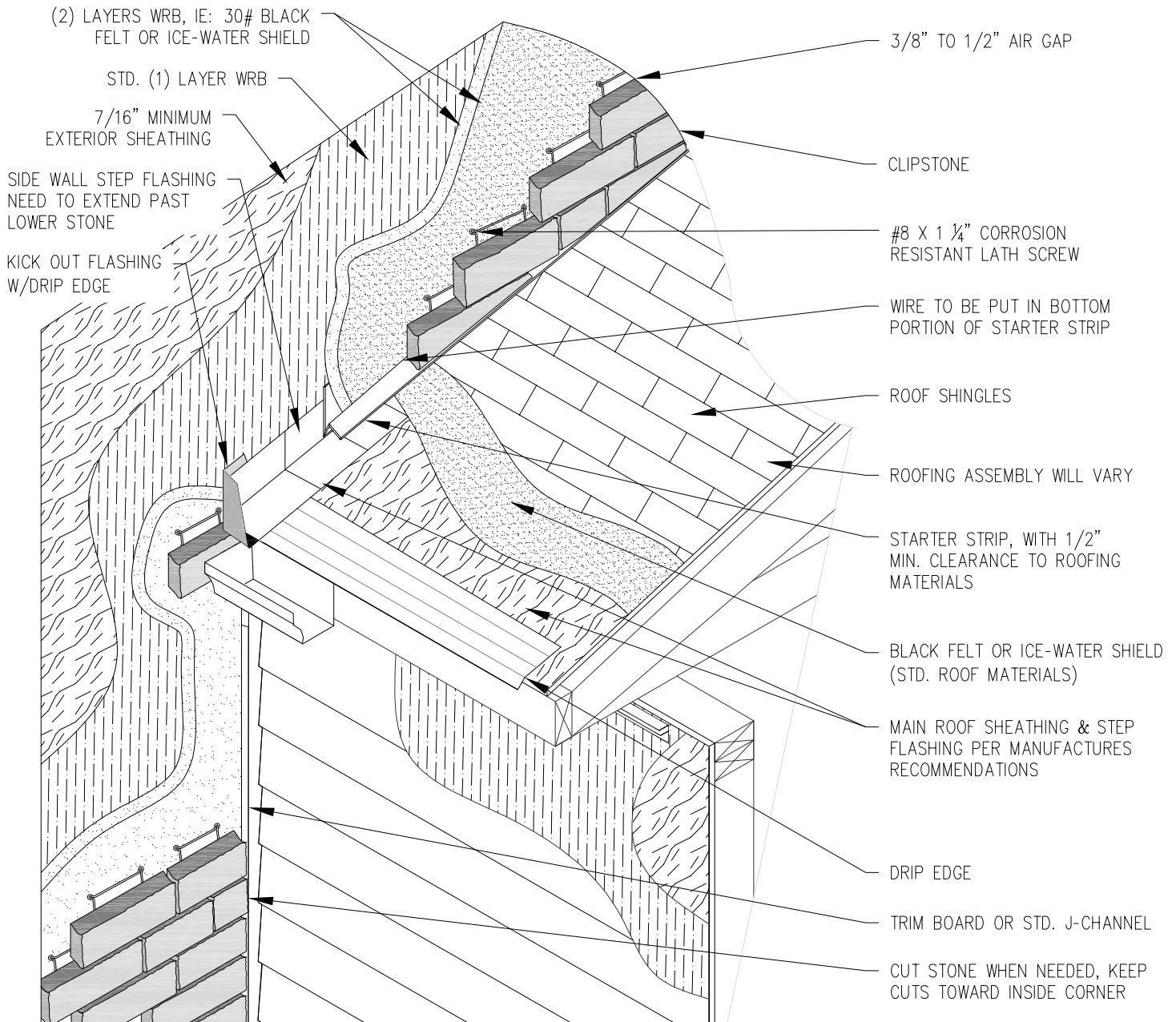
SCALE 2" = 1'-0"

COPYRIGHT 2015 ENVIRONMENTAL STONWORKS

DISCLAIMER: THESE CONSTRUCTION DETAILS ARE PROVIDED TO ASSIST IN THE INSTALLATION OF ENVIRONMENTAL STONWORKS PRODUCT(S). THESE CONSTRUCTION DETAILS WILL NOT NECESSARILY APPLY TO EVERY DESIGN CIRCUMSTANCE THAT YOU ENCOUNTER. THESE CONSTRUCTION DETAILS MAY REQUIRE MODIFICATION TO MEET YOUR PARTICULAR DESIGN REQUIREMENTS. MANUFACTURER ACCEPTS NO RESPONSIBILITY OR LIABILITY FOR USE OF THESE OR OTHER CONSTRUCTION DETAILS.

CLIPSTONE

MORTARLESS STONE VENEER
by ENVIRONMENTAL STONWORKS®



ISOMETRIC VIEW

DIVERTER/KICK-OUT FLASHING DETAIL

FIG-21

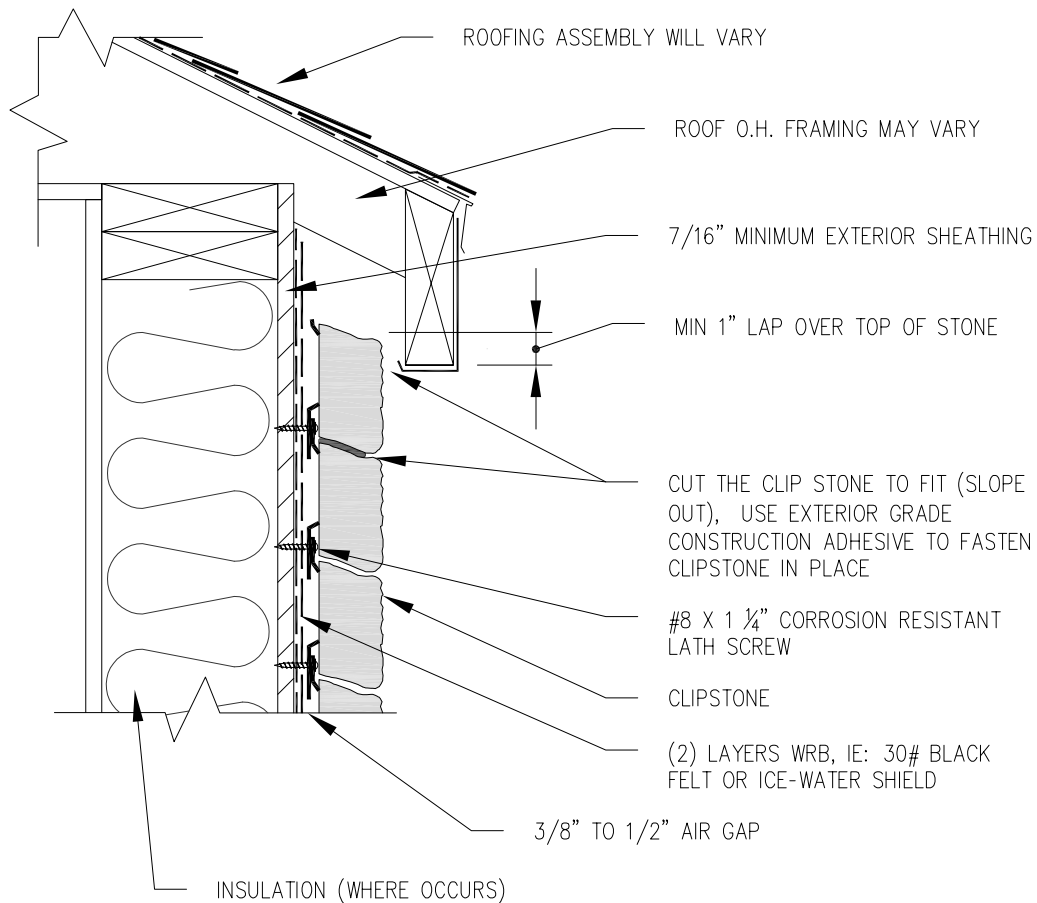
SCALE 1" = 1'-0"

COPYRIGHT 2015 ENVIRONMENTAL STONWORKS

DISCLAIMER: THESE CONSTRUCTION DETAILS ARE PROVIDED TO ASSIST IN THE INSTALLATION OF ENVIRONMENTAL STONWORKS PRODUCT(S). THESE CONSTRUCTION DETAILS WILL NOT NECESSARILY APPLY TO EVERY DESIGN CIRCUMSTANCE THAT YOU ENCOUNTER. THESE CONSTRUCTION DETAILS MAY REQUIRE MODIFICATION TO MEET YOUR PARTICULAR DESIGN REQUIREMENTS. MANUFACTURER ACCEPTS NO RESPONSIBILITY OR LIABILITY FOR USE OF THESE OR OTHER CONSTRUCTION DETAILS.

CLIPSTONE

MORTARLESS STONE VENEER
BY ENVIRONMENTAL STONWORKS®



STONE UNDER STRAIGHT OVERHANG

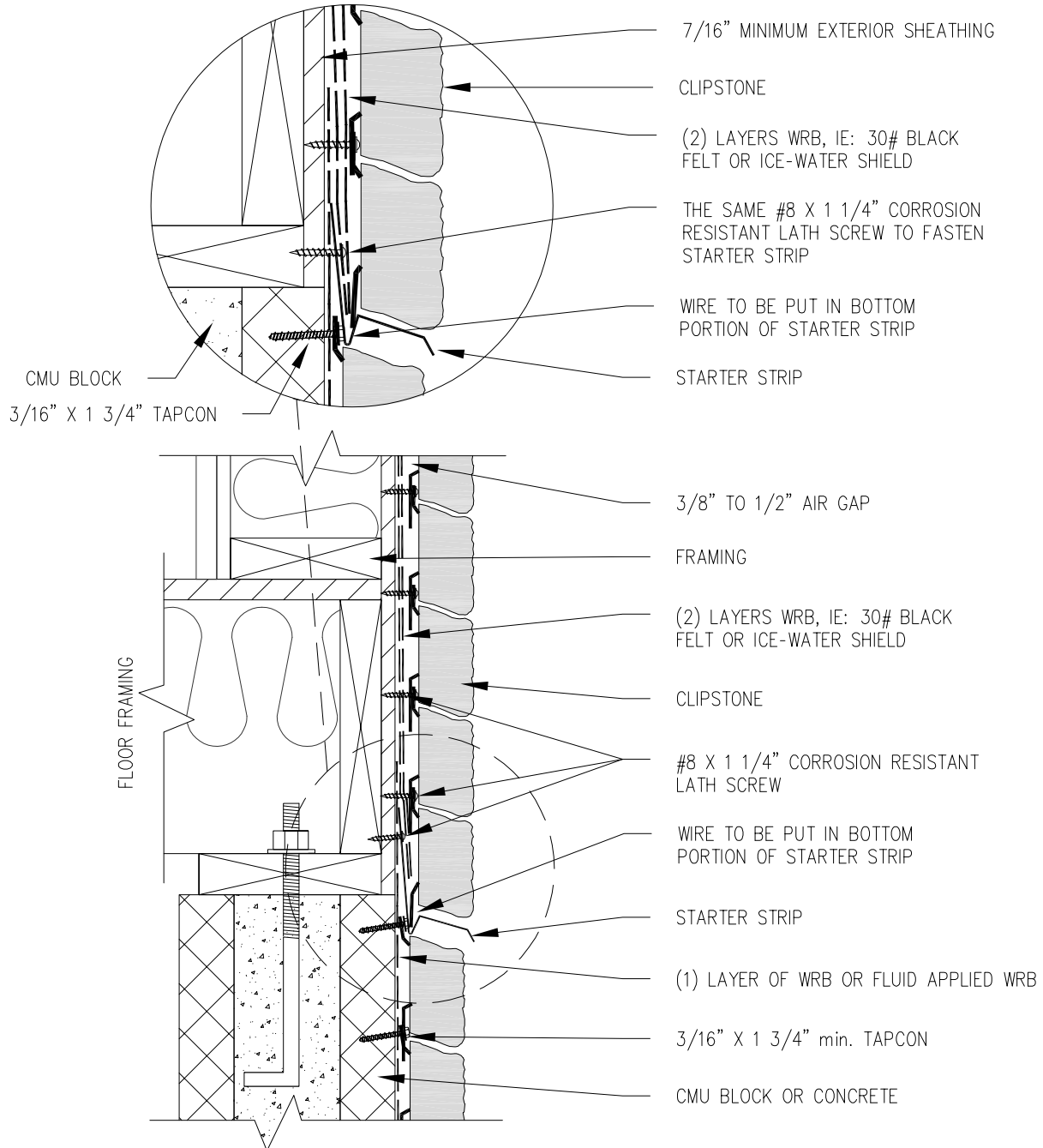
SCALE 2" = 1'-0"

COPYRIGHT 2015 ENVIRONMENTAL STONWORKS

DISCLAIMER: THESE CONSTRUCTION DETAILS ARE PROVIDED TO ASSIST IN THE INSTALLATION OF ENVIRONMENTAL STONWORKS PRODUCT(S). THESE CONSTRUCTION DETAILS WILL NOT NECESSARILY APPLY TO EVERY DESIGN CIRCUMSTANCE THAT YOU ENCOUNTER. THESE CONSTRUCTION DETAILS MAY REQUIRE MODIFICATION TO MEET YOUR PARTICULAR DESIGN REQUIREMENTS. MANUFACTURER ACCEPTS NO RESPONSIBILITY OR LIABILITY FOR USE OF THESE OR OTHER CONSTRUCTION DETAILS.

CLIPSTONE

MORTARLESS STONE VENEER
by ENVIRONMENTAL STONWORKS®



MULTI STORY-MASONRY WALL TO FRAMED WALL CONTROL JOINT



FIG-23

SCALE 2" = 1'-0"

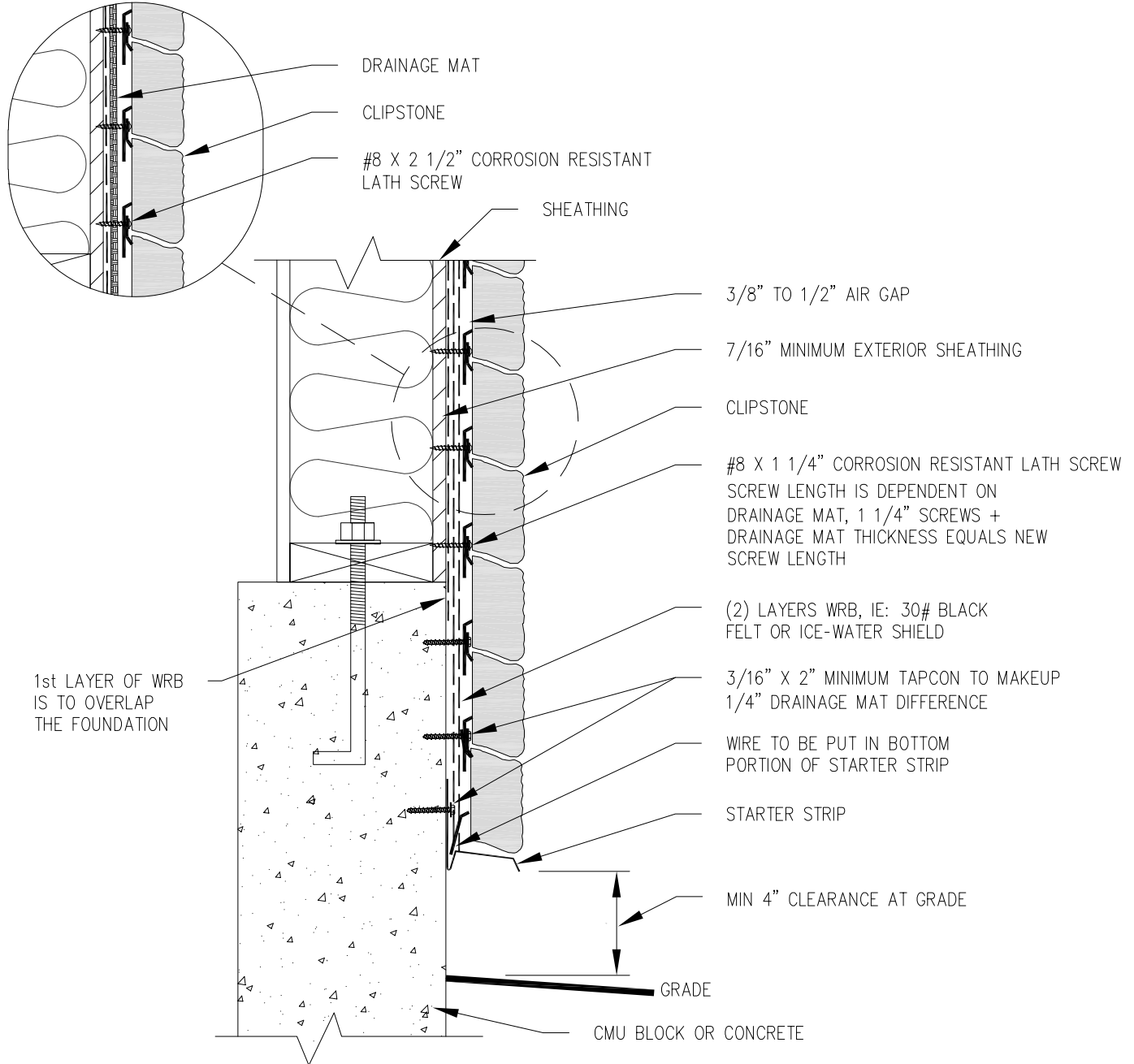
COPYRIGHT 2015 ENVIRONMENTAL STONWORKS

DISCLAIMER: THESE CONSTRUCTION DETAILS ARE PROVIDED TO ASSIST IN THE INSTALLATION OF ENVIRONMENTAL STONWORKS PRODUCT(S). THESE CONSTRUCTION DETAILS WILL NOT NECESSARILY APPLY TO EVERY DESIGN CIRCUMSTANCE THAT YOU ENCOUNTER. THESE CONSTRUCTION DETAILS MAY REQUIRE MODIFICATION TO MEET YOUR PARTICULAR DESIGN REQUIREMENTS. MANUFACTURER ACCEPTS NO RESPONSIBILITY OR LIABILITY FOR USE OF THESE OR OTHER CONSTRUCTION DETAILS.

CLIPSTONE

MORTARLESS STONE VENEER
by ENVIRONMENTAL STONWORKS®

OPTIONAL DRAINAGE MAT DETAIL



STONE-CONTINUE OVER FOUNDATION, W/ DRAINAGE MAT @ GRADE

FIG-24

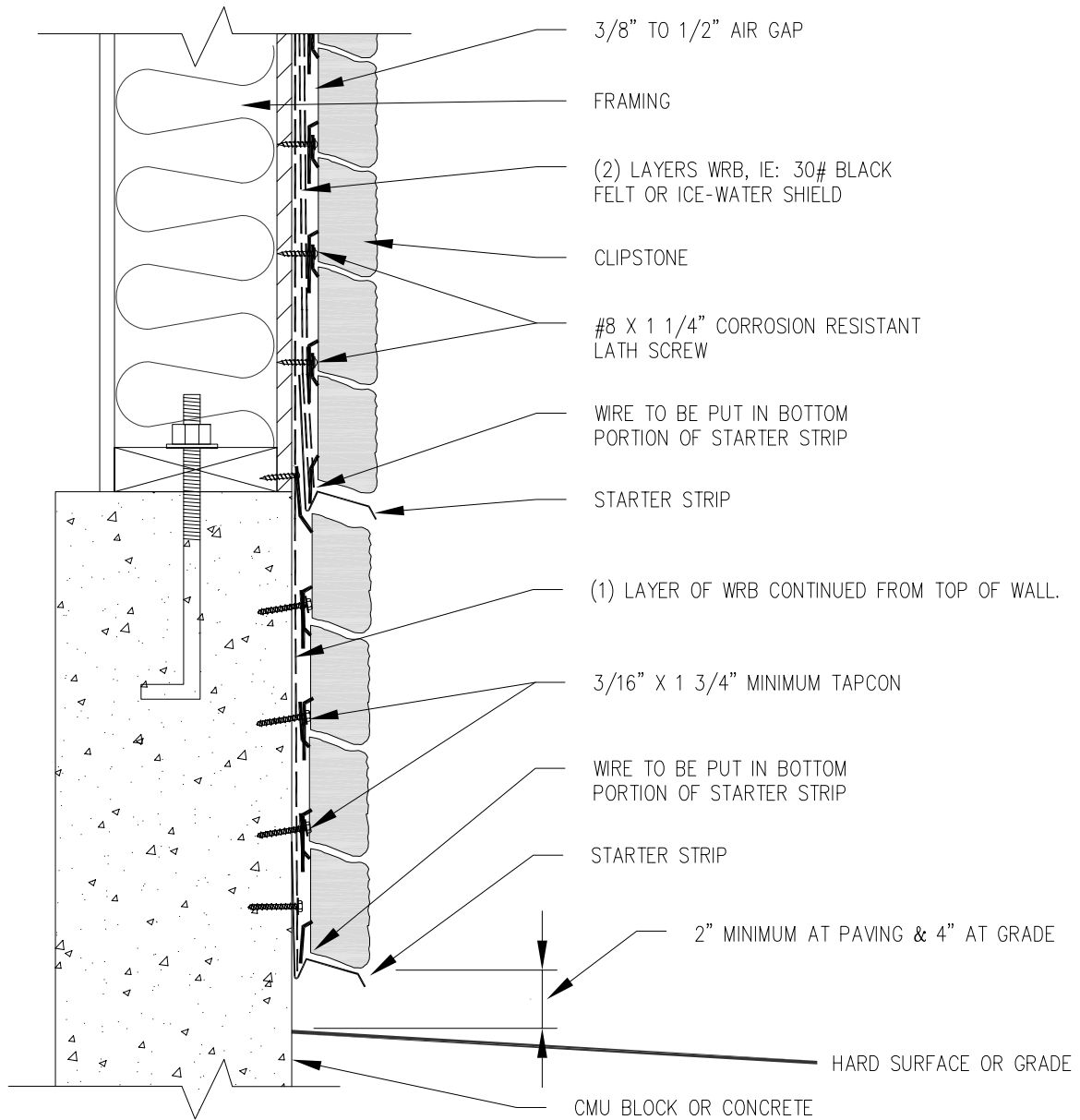
SCALE 2" = 1'-0"

COPYRIGHT 2015 ENVIRONMENTAL STONWORKS

DISCLAIMER: THESE CONSTRUCTION DETAILS ARE PROVIDED TO ASSIST IN THE INSTALLATION OF ENVIRONMENTAL STONWORKS PRODUCT(S). THESE CONSTRUCTION DETAILS WILL NOT NECESSARILY APPLY TO EVERY DESIGN CIRCUMSTANCE THAT YOU ENCOUNTER. THESE CONSTRUCTION DETAILS MAY REQUIRE MODIFICATION TO MEET YOUR PARTICULAR DESIGN REQUIREMENTS. MANUFACTURER ACCEPTS NO RESPONSIBILITY OR LIABILITY FOR USE OF THESE OR OTHER CONSTRUCTION DETAILS.

CLIPSTONE

MORTARLESS STONE VENEER
by ENVIRONMENTAL STONWORKS®



STONE /FOUNDATION-CONTINUE OVER @ SILL PLATE

FIG-25

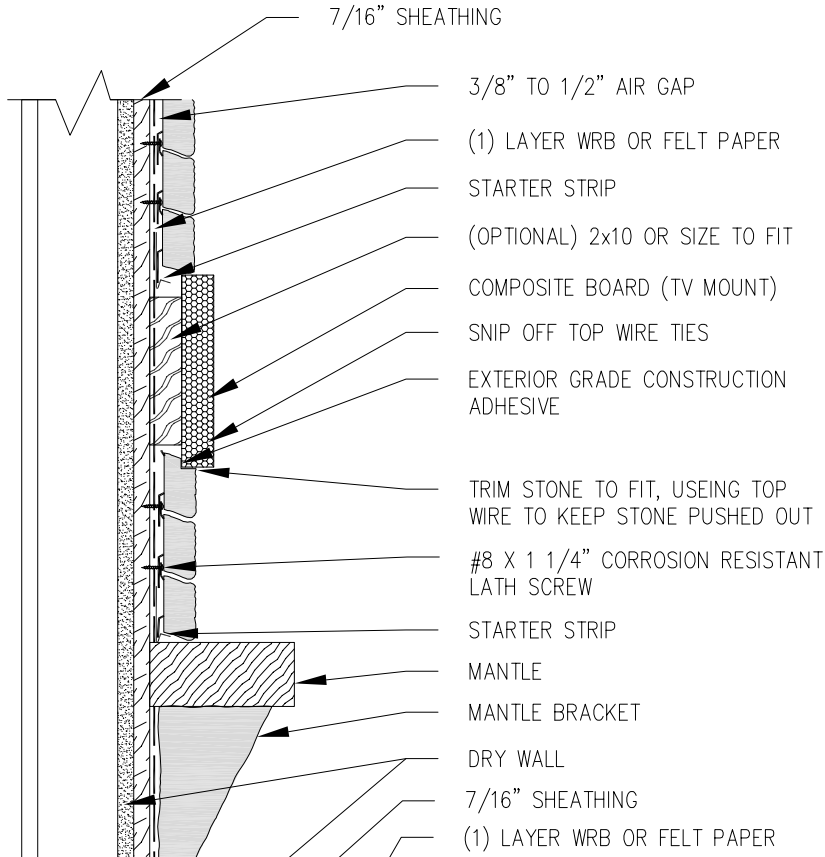
SCALE 2" = 1'-0"

COPYRIGHT 2015 ENVIRONMENTAL STONWORKS

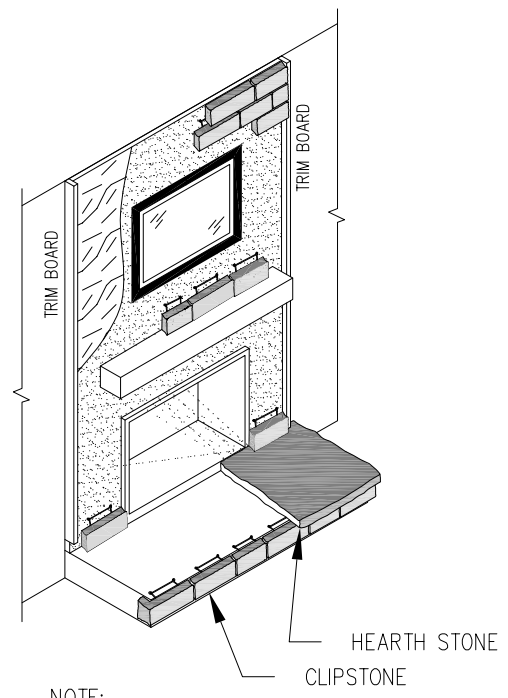
DISCLAIMER: THESE CONSTRUCTION DETAILS ARE PROVIDED TO ASSIST IN THE INSTALLATION OF ENVIRONMENTAL STONWORKS PRODUCT(S). THESE CONSTRUCTION DETAILS WILL NOT NECESSARILY APPLY TO EVERY DESIGN CIRCUMSTANCE THAT YOU ENCOUNTER. THESE CONSTRUCTION DETAILS MAY REQUIRE MODIFICATION TO MEET YOUR PARTICULAR DESIGN REQUIREMENTS. MANUFACTURER ACCEPTS NO RESPONSIBILITY OR LIABILITY FOR USE OF THESE OR OTHER CONSTRUCTION DETAILS.

CLIPSTONE

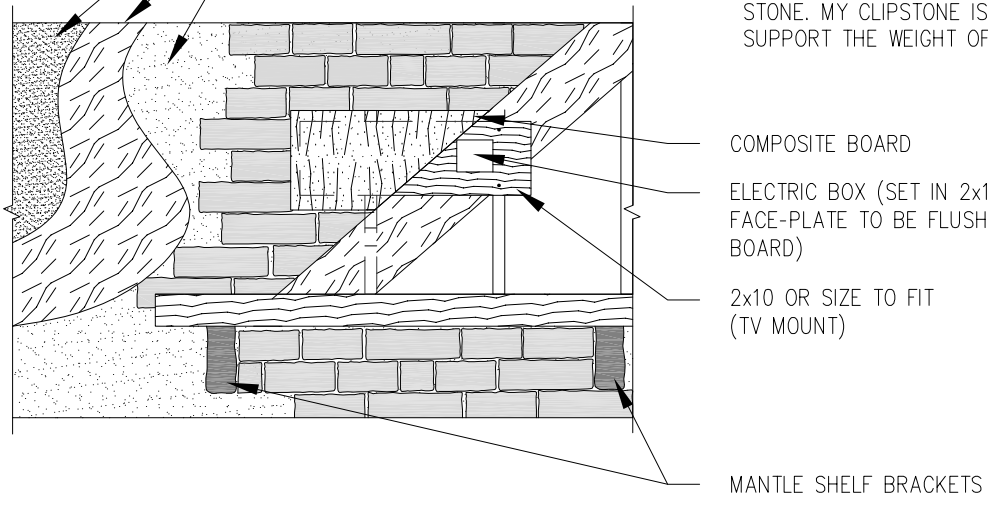
MORTARLESS STONE VENEER
by ENVIRONMENTAL STONWORKS®



NOTE:
DRIP LIP OF STARTER STRIP MAY
BE CUT OFF WHEN USED INDOORS



NOTE:
TV MOUNTS MUST NOT BE ATTACHED THROUGH
STONE. MY CLIPSTONE IS NOT INTENDED TO
SUPPORT THE WEIGHT OF A TV.



FIREPLACE TV MOUNT

FIG-26

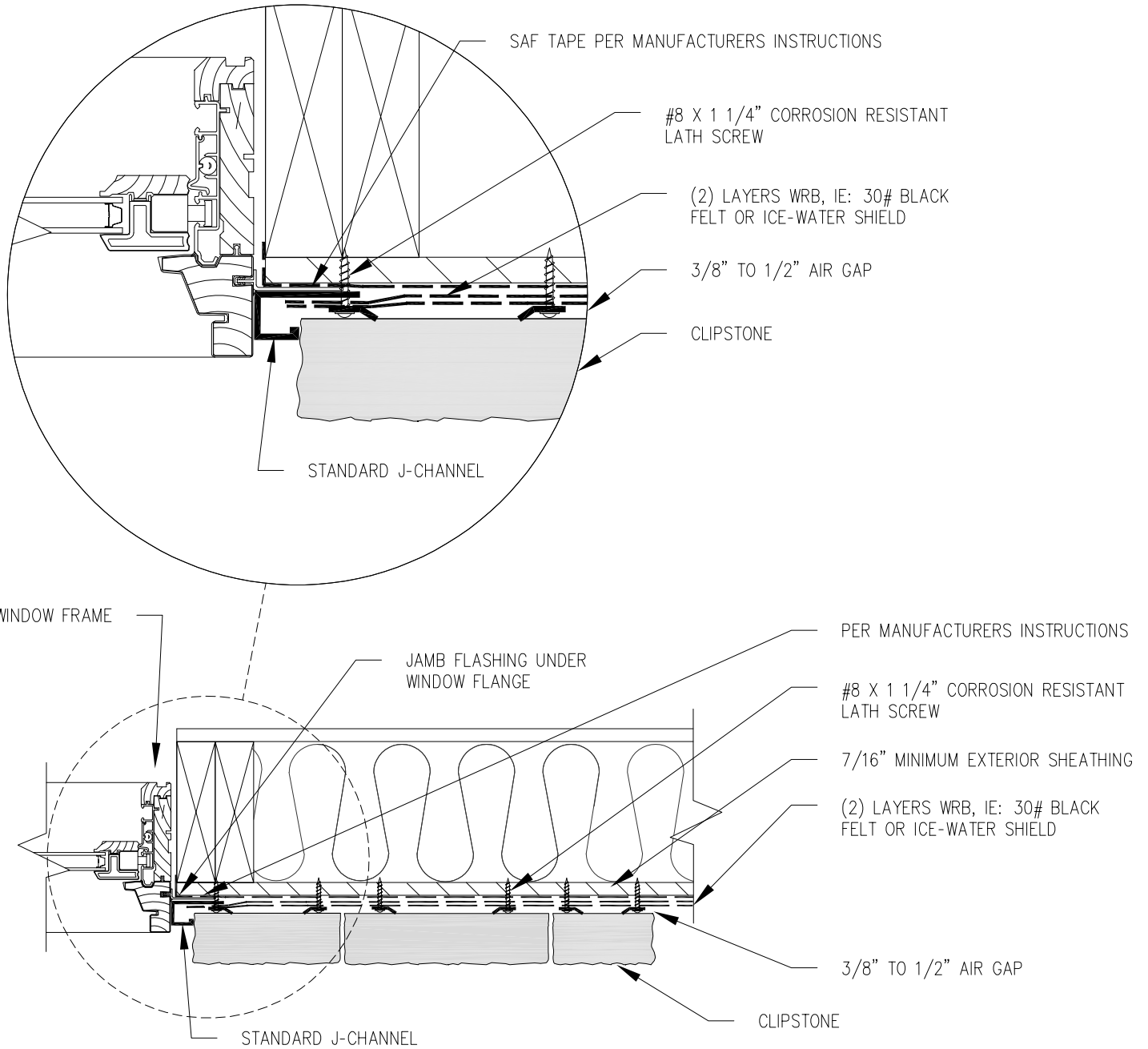
SCALE 2" = 1'-0"

COPYRIGHT 2015 ENVIRONMENTAL STONWORKS

DISCLAIMER: THESE CONSTRUCTION DETAILS ARE PROVIDED TO ASSIST IN THE INSTALLATION OF ENVIRONMENTAL STONWORKS PRODUCT(S). THESE CONSTRUCTION DETAILS WILL NOT NECESSARILY APPLY TO EVERY DESIGN CIRCUMSTANCE THAT YOU ENCOUNTER. THESE CONSTRUCTION DETAILS MAY REQUIRE MODIFICATION TO MEET YOUR PARTICULAR DESIGN REQUIREMENTS. MANUFACTURER ACCEPTS NO RESPONSIBILITY OR LIABILITY FOR USE OF THESE OR OTHER CONSTRUCTION DETAILS.

CLIPSTONE

MORTARLESS STONE VENEER
 BY ENVIRONMENTAL STONWORKS®



VERTICAL TRANSITION @ DISSIMILAR MATERIAL

FIG-27

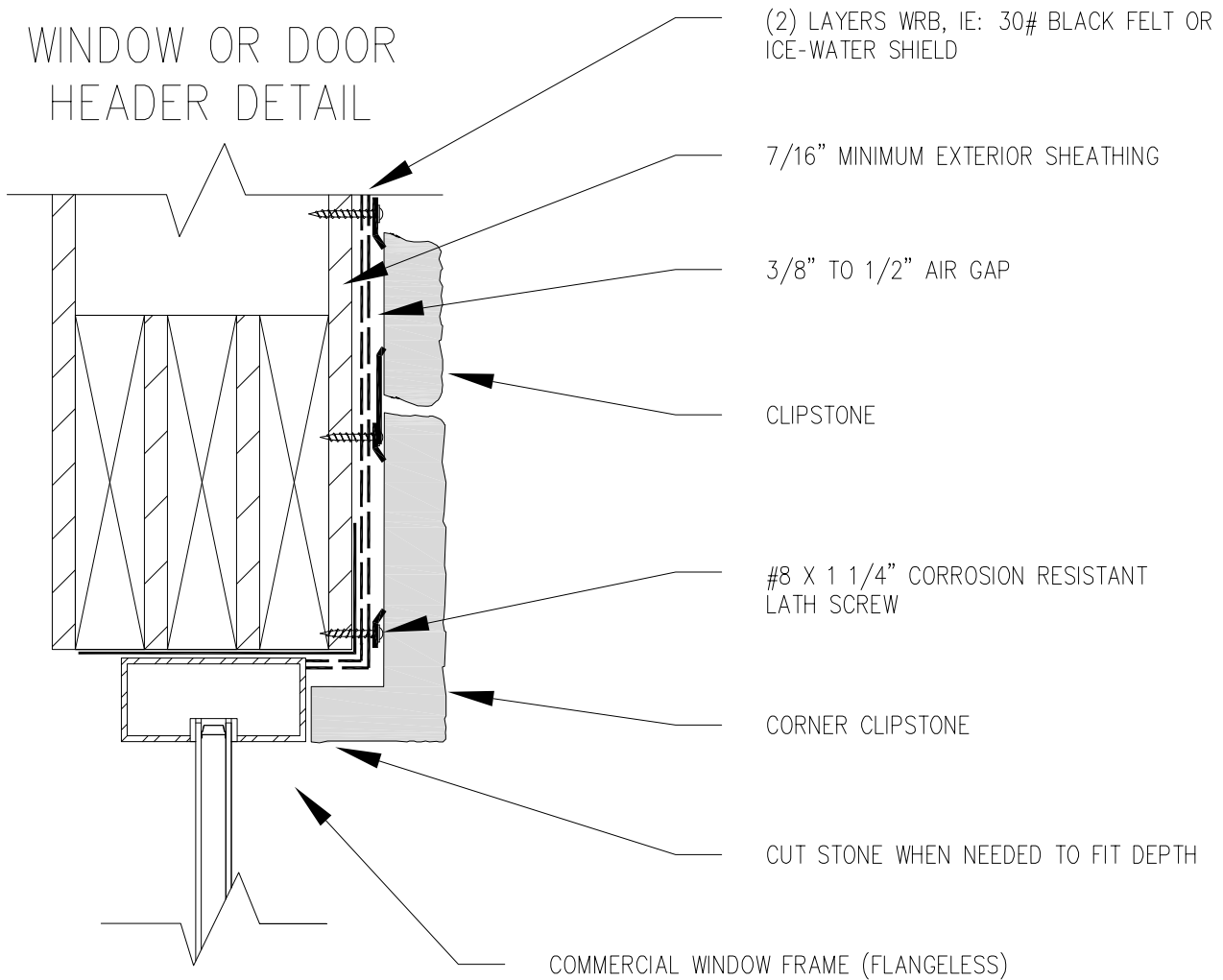
SCALE 2" = 1'-0"

COPYRIGHT 2015 ENVIRONMENTAL STONWORKS

DISCLAIMER: THESE CONSTRUCTION DETAILS ARE PROVIDED TO ASSIST IN THE INSTALLATION OF ENVIRONMENTAL STONWORKS PRODUCT(S). THESE CONSTRUCTION DETAILS WILL NOT NECESSARILY APPLY TO EVERY DESIGN CIRCUMSTANCE THAT YOU ENCOUNTER. THESE CONSTRUCTION DETAILS MAY REQUIRE MODIFICATION TO MEET YOUR PARTICULAR DESIGN REQUIREMENTS. MANUFACTURER ACCEPTS NO RESPONSIBILITY OR LIABILITY FOR USE OF THESE OR OTHER CONSTRUCTION DETAILS.

CLIPSTONE

MORTARLESS STONE VENEER
by ENVIRONMENTAL STONWORKS®



COMMERCIAL WINDOW HEADER W/ CORNER STONE



FIG-28

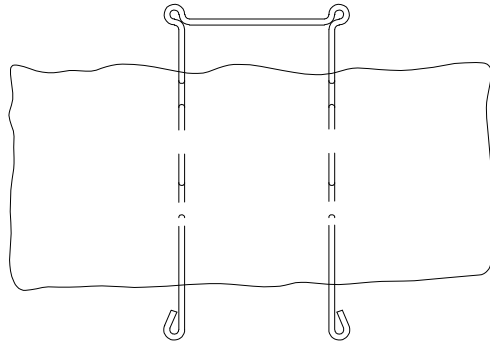
SCALE 3" = 1'-0"

COPYRIGHT 2015 ENVIRONMENTAL STONWORKS

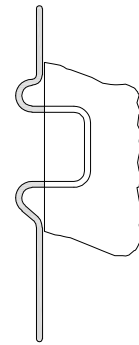
DISCLAIMER: THESE CONSTRUCTION DETAILS ARE PROVIDED TO ASSIST IN THE INSTALLATION OF ENVIRONMENTAL STONWORKS PRODUCT(S). THESE CONSTRUCTION DETAILS WILL NOT NECESSARILY APPLY TO EVERY DESIGN CIRCUMSTANCE THAT YOU ENCOUNTER. THESE CONSTRUCTION DETAILS MAY REQUIRE MODIFICATION TO MEET YOUR PARTICULAR DESIGN REQUIREMENTS. MANUFACTURER ACCEPTS NO RESPONSIBILITY OR LIABILITY FOR USE OF THESE OR OTHER CONSTRUCTION DETAILS.

CLIPSTONE

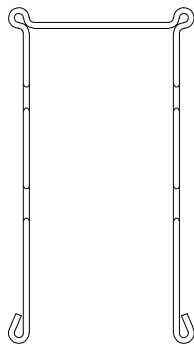
MORTARLESS STONE VENEER
BY ENVIRONMENTAL STONEWORKS®



FRONT VIEW
OF STONE
WITH WIRE
SUPPORT



SIDE VIEW
OF STONE
AND WIRE
SUPPORT



WIRE
SUPPORT



WIRE HANGER WITH STONE

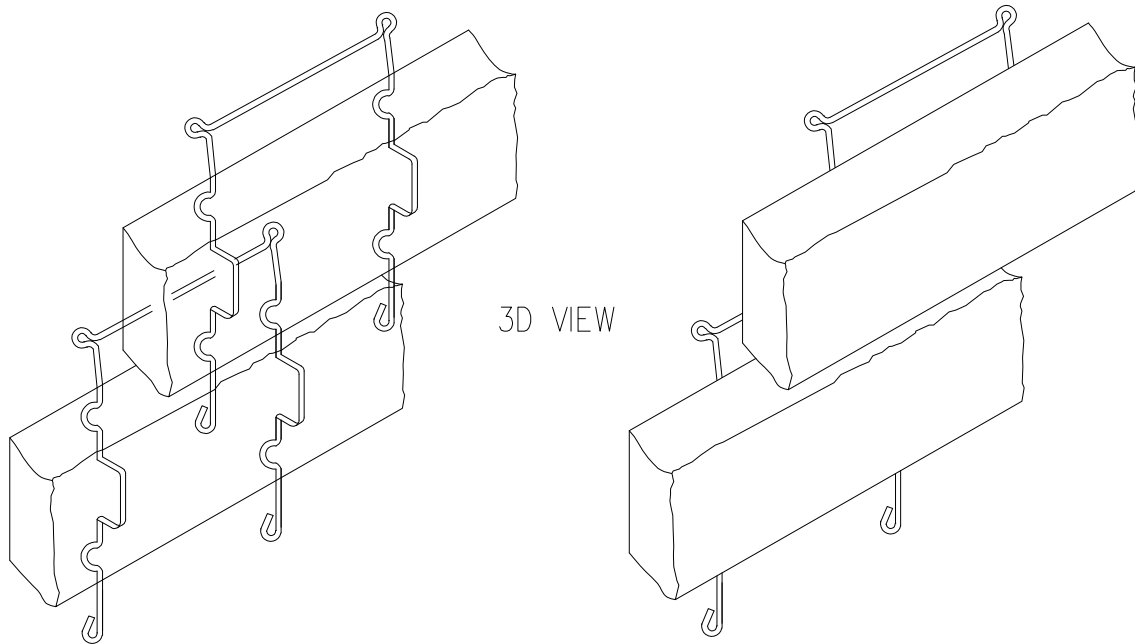
SCALE 3" = 1'-0"

COPYRIGHT 2015 ENVIRONMENTAL STONEWORKS

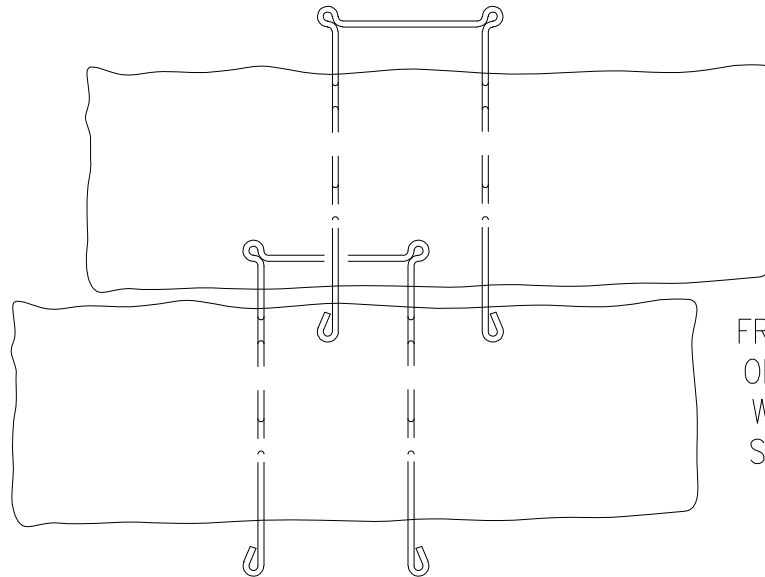
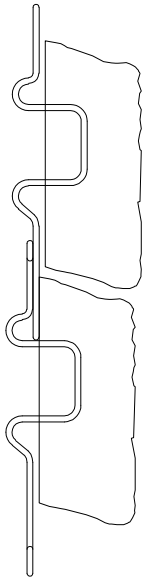
DISCLAIMER: THESE CONSTRUCTION DETAILS ARE PROVIDED TO ASSIST IN THE INSTALLATION OF ENVIRONMENTAL STONEWORKS PRODUCT(S). THESE CONSTRUCTION DETAILS WILL NOT NECESSARILY APPLY TO EVERY DESIGN CIRCUMSTANCE THAT YOU ENCOUNTER. THESE CONSTRUCTION DETAILS MAY REQUIRE MODIFICATION TO MEET YOUR PARTICULAR DESIGN REQUIREMENTS. MANUFACTURER ACCEPTS NO RESPONSIBILITY OR LIABILITY FOR USE OF THESE OR OTHER CONSTRUCTION DETAILS.

CLIPSTONE

MORTARLESS STONE VENEER
BY ENVIRONMENTAL STONEWORKS®



SIDE VIEW
OF STONES
AND WIRE
SUPPORTS



FRONT VIEW
OF STONES
WITH WIRE
SUPPORTS



FIG-30

WIRE HANGER WITH STONES

SCALE 3" = 1'-0"

COPYRIGHT 2015 ENVIRONMENTAL STONEWORKS

DISCLAIMER: THESE CONSTRUCTION DETAILS ARE PROVIDED TO ASSIST IN THE INSTALLATION OF ENVIRONMENTAL STONEWORKS PRODUCT(S). THESE CONSTRUCTION DETAILS WILL NOT NECESSARILY APPLY TO EVERY DESIGN CIRCUMSTANCE THAT YOU ENCOUNTER. THESE CONSTRUCTION DETAILS MAY REQUIRE MODIFICATION TO MEET YOUR PARTICULAR DESIGN REQUIREMENTS. MANUFACTURER ACCEPTS NO RESPONSIBILITY OR LIABILITY FOR USE OF THESE OR OTHER CONSTRUCTION DETAILS.